

# Brass Female Coupler

A durable brass adaptor for connecting Metric to MBSP type fittings

## Overview

Speedfit DZR brass push-fit coupler for connecting metric pipe using a female thread. To connect the push-fit end, simply push onto a plastic or copper pipe. To demount the connection, push the collet towards the body of the fitting and pull the pipe to release.

The fitting is quicker and easier to install in confined spaces than traditional methods as it eliminates the need for hot works.

Designed, manufactured and assembled in the UK.

## Features & Benefits

- Instant push-fit connection and durable female thread
- Safe flame-free installation, with no hot works, glue or flux
- Suitable for use with JG Speedfit PEX and polybutylene barrier pipe (inserts required) and copper pipe
- Suitable for hot, cold and central heating systems



Product code	Description	Size	Bag QTY
MW451514N	Brass Female Coupler	15mm x 1/2" BSP	5
MW452216N	Brass Female Coupler	22mm x 3/4" BSP	5



50 year guarantee when used with JG Speedfit Layflat PB and PEX Barrier Pipes

# Brass Female Coupler

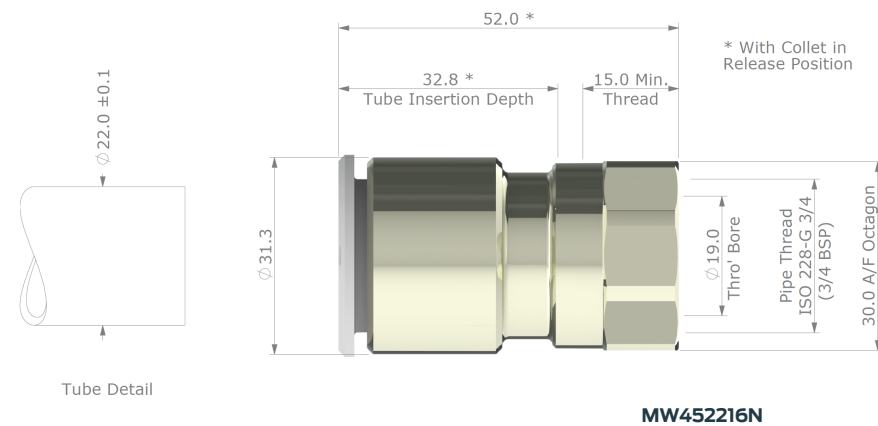
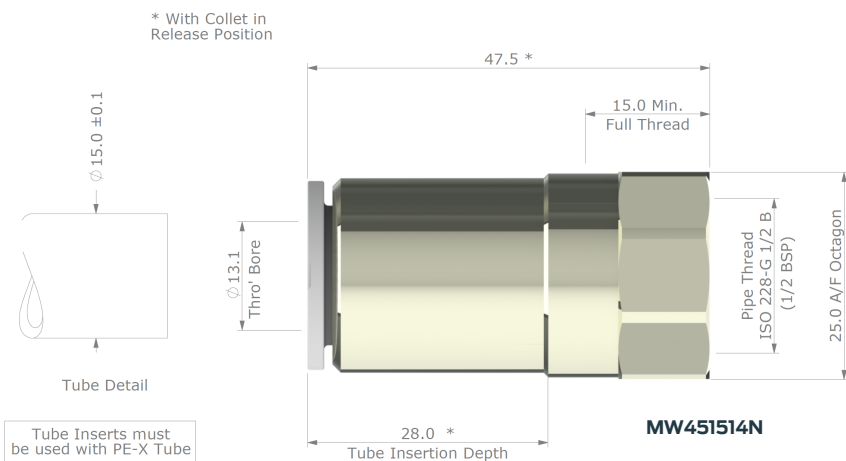
## Working parameters & specifications

Application	Usual working temperature °C	Maximum working temperature °C	Maximum working pressure, bar
Cold Water (indirect and direct mains)	20	20	12
Central Heating	82	92	3
Hot Water (including unvented cylinders)	65	95	6

## Materials

<b>Body</b>	Ecobross, SW1, Lead Free and De-zincification Resistant
<b>O-Ring</b>	Ethylene Polypropylene Diene Monomer (EPDM)
<b>Collet</b>	Acetal Copolymer (Unfilled), White
<b>Collet Teeth</b>	Stainless Steel 301
<b>Support Washer</b>	Acetal Copolymer (Unfilled), Natural

## Dimensions – All measurements in mm unless otherwise stated



This Product is manufactured from Ecobross (Lead free & De-zincification Resistant)