

Female Cylinder Adaptor

Durable brass Speedfit to FBSP cylinder connector

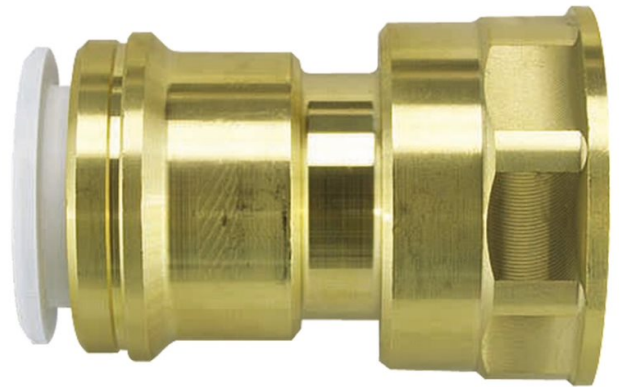
Overview

Speedfit push-fit brass fitting that connects pipe to a female thread hot cylinder. The fitting is quicker and easier to install in confined spaces than traditional methods as it eliminates the need for hot works.

Designed, manufactured and assembled in the UK.

Features & Benefits

- Safe flame-free installation, with no hot works, glue or flux
- Grip & Seal collet with stainless steel teeth and main O-Ring seal
- Suitable for use with JG Speedfit PEX and polybutylene barrier pipe (inserts required) and copper pipe
- Suitable for hot and cold water and central heating systems



Product code	Description	Size	Bag QTY
22CFA	Brass Female Cylinder Adaptor	22mm x 1" BSP	5



50 year guarantee when used with JG Speedfit Layflat PB and PEX Barrier Pipes

Brass Female Cylinder Adaptor

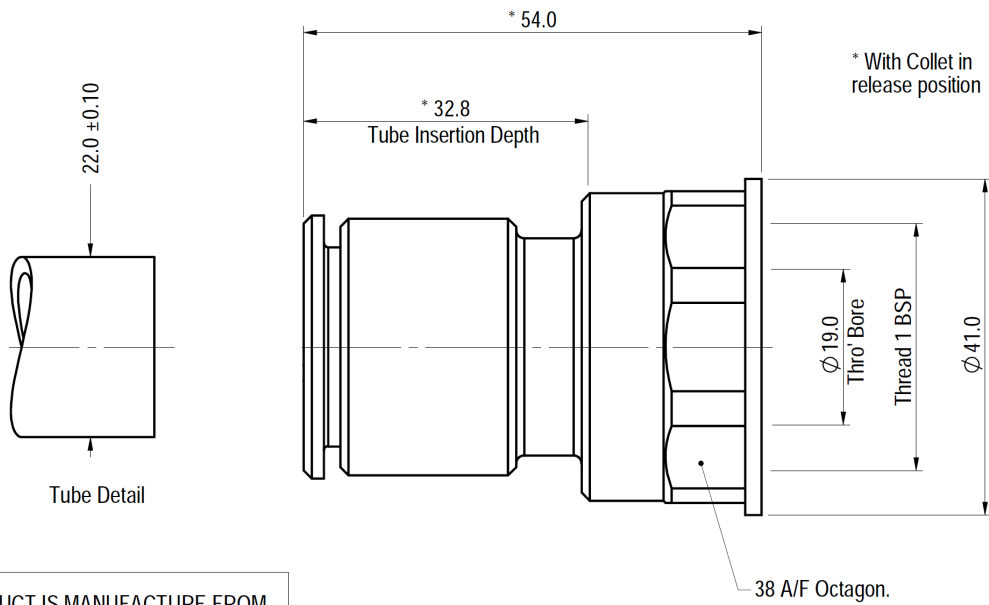
Working parameters & specifications

Application	Usual working temperature °C	Maximum working temperature °C	Maximum working pressure, bar
Cold Water (indirect and direct mains)	20	20	12
Central Heating	82	92	3
Hot Water (including unvented cylinders)	65	95	6

Materials

Body	Brass, De-Zincification Resistant
O-Ring	Ethylene Polypropylene Diene Monomer (EPDM)
Collet	Acetal Copolymer (Unfilled, White)
Collet Teeth	Stainless Steel 301

Dimensions – All measurements in mm unless otherwise stated



THIS PRODUCT IS MANUFACTURE FROM DE-ZINCIFICATION RESISTANT BRASS