

Equal Tee

Quickly and securely connects three MDPE pipes of equal size

Overview

JG Speedfit cold water service equal Tee to connect three equal MDPE pipe sizes. The uniquely designed push-fit fitting incorporates stainless steel teeth to provide a tight and secure grip on the pipe. Simply push the push-fit fitting fully onto the pipe. The connection is demountable, making it easy to work with in the ground when maintaining or altering an existing set-up.

The JG Speedfit cold water service equal Tee is up to 40% faster to install than traditional methods and is easier to use in confined spaces by removing the need for hot works and tools.

Designed, manufactured and assembled in the UK



Features & Benefits

- Instant push-fit connection
- Install and demount in seconds without tools
- Stainless steel teeth grab ring provides extra grip on the pipe
- Durable material with high impact resistance
- Non-toxic and no scale build-up
- Resists corrosion and biological growth
- Compatible with MDPE pipes only (inserts required)
- Suitable for cold water use only

Product code	Description	Size	Bag QTY
UG201B	Cold Water Service Equal Tee	20mm	1
UG202B	Cold Water Service Equal Tee	25mm	1
UG203B	Cold Water Service Equal Tee	32mm	1



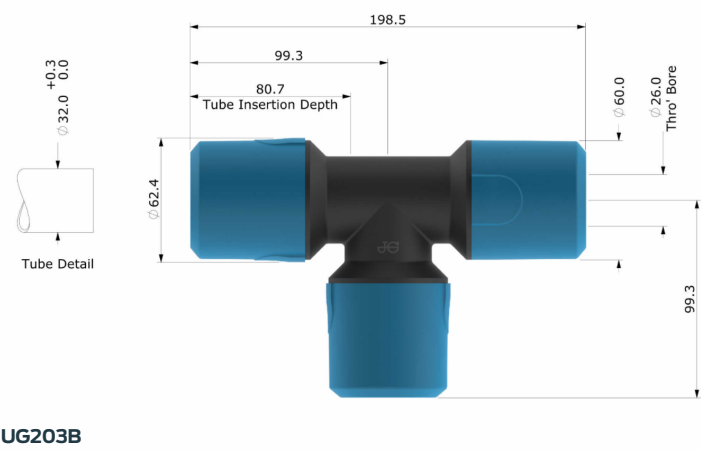
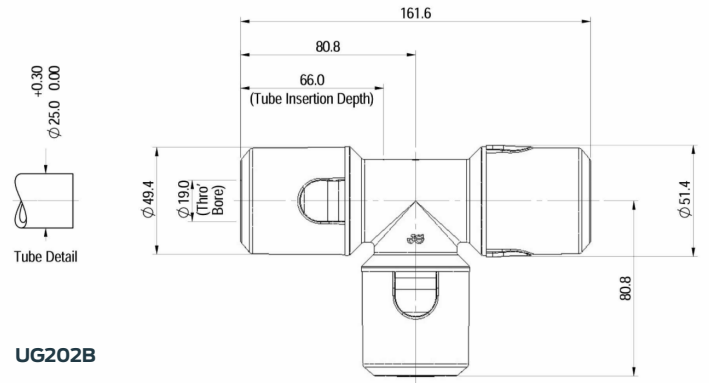
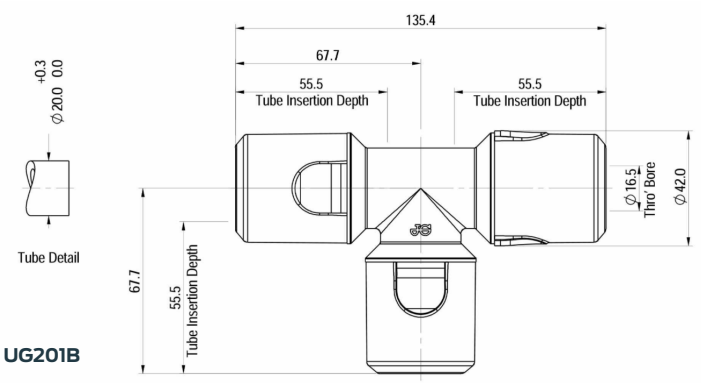
Equal Tee

Working parameters & specifications

Application	Usual working temperature °C	Maximum working temperature °C	Maximum working pressure, bar
Cold Water (indirect and direct mains)	20	20	16

Materials	
Body	Polypropylene (Glass Filled), Black
O-Ring	Ethylene Polypropylene Diene Monomer (EPDM)
Collet	Acetal Copolymer (Unfilled) Blue
Collet Teeth	Stainless Steel
Collet Cover	Acetal Copolymer (Unfilled) Blue
Support Washer	Acetal Copolymer (Unfilled) Blue

Dimensions – All measurements in mm unless otherwise stated



Dimensions in mm