

Extra Flexi Speedfit x Hand Tighten

Connects a supply to a tap or other fixture or appliance

Overview

Speedfit hand tighten flexi hose for the connection to a male thread appliance, such as a Tap. The white PVC hose material significantly reduces hose 'kinking' and makes the product easier to clean.

On one end the hose features a push-fit connection for a supply pipe. On the other end there is a plastic nut which can be hand tightened on to a tap or male thread. To demount the push-fit end, simply push the collet towards the body of the fitting and pull the pipe to release.

The fitting is quicker and easier to install in confined spaces than traditional methods as it eliminates the need for hot works or tools.

Designed, manufactured and assembled in the UK.



Features & Benefits

- An alternative to hard piping to a tap or fixture
- Flexible design makes installation hassle free
- Safe flame-free installation, with no hot works, glue or flux
- White PVC design stops the pipe kinking and makes cleaning easier
- Grip & Seal collet with stainless steel teeth and main O-Ring seal
- Suitable for use with JG Speedfit PEX and polybutylene barrier pipe (inserts required) and copper pipe
- Suitable for hot and cold water only (6 Bar @ 65 °C)

Product code	Description	Size	Bag QTY
300mm			
PFLX88	Speedfit x Hand Tighten	15mm x 1/2" BSP	1



50 year guarantee when used with JG Speedfit Layflat PB and PEX Barrier Pipes

Extra Flexi Speedfit x Hand Tighten

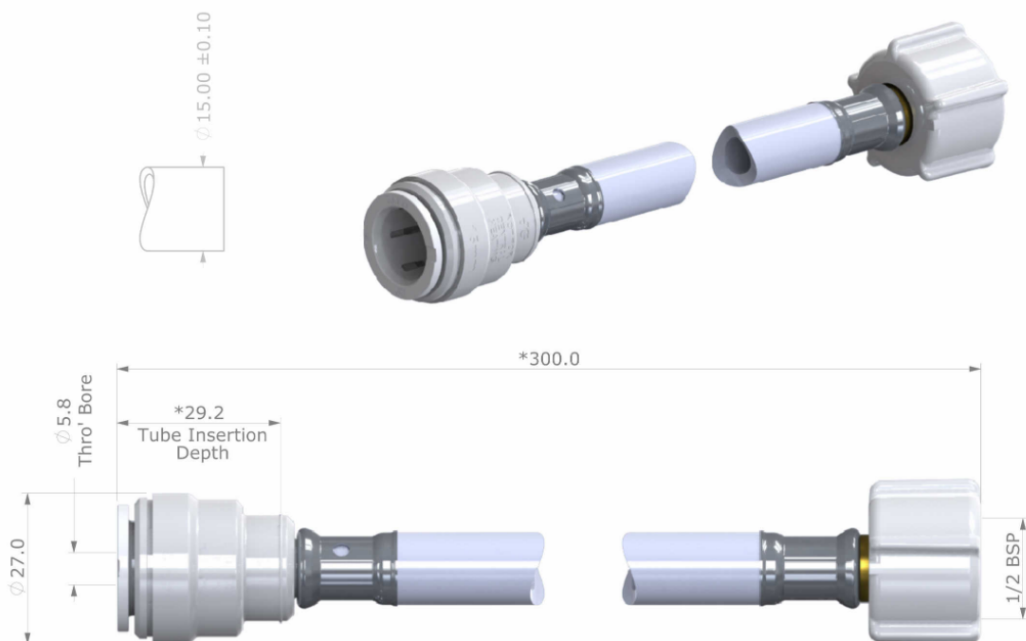
Working parameters & specifications

Application	Usual working temperature °C	Maximum working temperature °C	Maximum working pressure, bar
Cold Water (indirect and direct mains)	20	20	12
Hot Water (including unvented cylinders)	65	65	6

Materials	
1/2" BSP Hose Barb	Nickel Plated Brass
1/2" BSP Captive Nut	Nylon 66, 40% Mineral Filled
1/2" BSP Washer	Ethylene Propylene, Black
Ferule 13mm O/D	Stainless Steel
13mm Reinforced Flexible Hose	Multi-layered PVC /Polyester Fibre Reinforced & Hytrel

Materials 15mm x 1/2" ID Hose Connector Assembly	
Body	Polyacetal (Unfilled), Light Grey
O-Ring	Ethylene Polypropylene Diene Monomer (EPDM)
Collet	Polyacetal (Unfilled), Light Grey, Stainless Steel
Washer	Polyacetal (Unfilled), Natural
Caps	Polyacetal (Unfilled), Light Grey

Dimensions – All measurements in mm unless otherwise stated



*With Collet In Release Position

Dimensions in mm - nominal unless stated otherwise