

Reducing Tee

Quickly and securely connects three pipes of unequal size

Overview

Speedfit plastic push-fit fitting for the connection of three unequal sized plastic or copper pipes. Simply push the fitting fully onto the pipe and twist the plastic nut clockwise to lock in place.

To demount the connection, unlock the nut by hand and push the collet towards the body of the fitting and pull the pipe to release. The fitting is up to 40% faster to install than traditional methods and is easier to use in confined spaces by removing the need for hot works and tools.

Designed, manufactured and assembled in the UK.



Features & Benefits

- Instant push-fit connection
- Install and demount in seconds without tools
- Safe flame-free installation, with no hot works, glue or flux
- Grip & Seal collet with stainless steel teeth and main O-Ring seal
- Non-toxic, resists corrosion and no scale build-up
- Suitable for use with JG Speedfit PEX and polybutylene barrier pipe (inserts required) and copper pipe
- Suitable for hot, cold and central heating applications

Product code	Description	Size
PEM3015BW	Reducing Tee	15mm x 10mm x 10mm
PEM3015AW	Reducing Tee	15mm x 15mm x 10mm
PEM3022CW	Reducing Tee	15mm x 15mm x 22mm
PEM3022BW	Reducing Tee	22mm x 15mm x 15mm
PEM3022DW	Reducing Tee	22mm x 15mm x 22mm
PEM302210AW	Reducing Tee	22mm x 22mm x 10mm
PEM3022AW	Reducing Tee	22mm x 22mm x 15mm
PEM3028BW	Reducing Tee	28mm x 22mm x 22mm
PEM3028DW	Reducing Tee	28mm x 22mm x 28mm
PEM302810AW	Reducing Tee	28mm x 28mm x 10mm
PEM302815AW	Reducing Tee	28mm x 28mm x 15mm
PEM3028AW	Reducing Tee	28mm x 28mm x 22mm



50 year guarantee when used with JG Speedfit Layflat PB and PEX Barrier Pipes

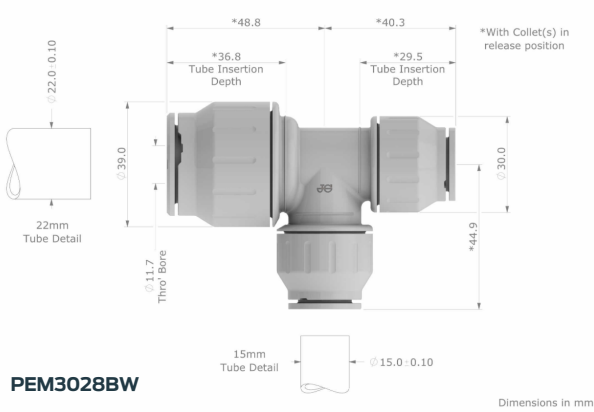
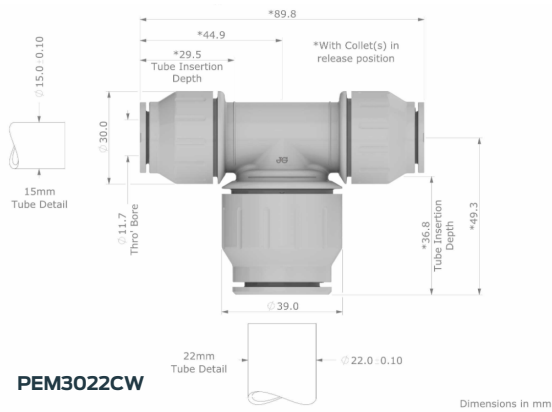
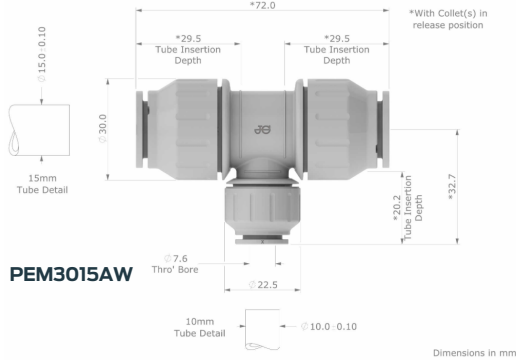
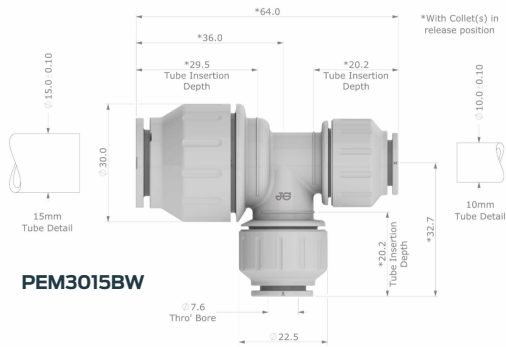
Reducing Tee

Application	Usual working temperature °C	Maximum working temperature °C	Maximum working pressure, bar
Cold Water (indirect and direct mains)	20	20	12
Central Heating	82	95, short term malfunction at 114	3
Hot Water (including unvented cylinders)	65	95	6

Materials

Body	X-Linked Polyethylene, White
O-Ring	Ethylene Polypropylene Diene Monomer (EPDM)
Collet	Glass Filled Nylon
Collet Teeth	Stainless Steel 301
Caps	Nylon 12, White
Compression Ring	Acetal Copolymer, White

Dimensions – All measurements in mm unless stated



Dimensions – All measurements in mm unless stated

