

Tank Connector

Directly connects a tank to a mains supply simply and securely

Overview

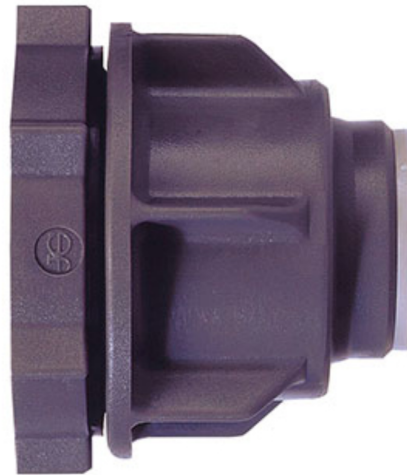
Speedfit plastic push-fit fitting for the connection of plastic or copper pipes to a cold water tank. The tank connector is designed for tanks with a minimum wall thickness of 4mm. Simply push the fitting fully onto the pipe and hand-tighten the connector to the tank.

To demount the connection, push the collet towards the body of the fitting and pull the pipe to release. The fitting is quicker and easier to install in confined spaces than traditional methods as it eliminates the need for hot works or tools in the loft environment.

Designed, manufactured and assembled in the UK.

Features & Benefits

- Instant push-fit connection
- Install and demount in seconds without tools
- Safe flame-free installation, with no hot works, glue or flux
- Grip & Seal collet with stainless steel teeth and main O-Ring seal
- Non-toxic, resists corrosion and no scale build-up
- Suitable for use with JG Speedfit PEX and polybutylene barrier pipe (inserts required) and copper pipe
- Suitable for cold water use only



Product code	Description	Size
CM0715S	Tank Connector	15mm
CM0722S	Tank Connector	22mm
CM0728S	Tank Connector	28mm



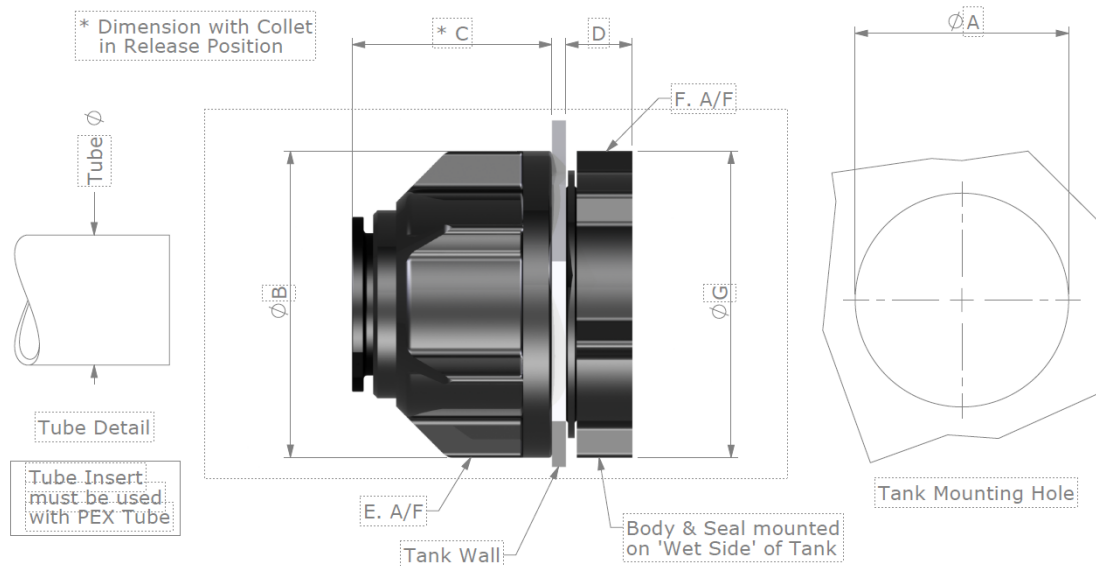
50 year guarantee when used with JG Speedfit Layflat PB and PEX Barrier Pipes

Tank Connector

Application	Maximum working temperature °C	Maximum working pressure, bar
Cold Water (indirect and direct mains)	20	12

Materials	
Body	Acetal Copolymer (Unfilled), Dark Grey
Connector Nut	Acetal Copolymer (Unfilled), Dark Grey
O-Ring	Ethylene Polypropylene Diene Monomer (EPDM)
Colle 15/22mm	Acetal Copolymer (Unfilled), Light Grey
Collet Teeth	Stainless Steel 301
Caps	Nylon (40% Mineral Filled), White
Collet 28mm	Nylon (Glass Filled), Black & Stainless Steel

Dimensions – All measurements in mm unless stated



Product No.	Tube Insert No.	Tube ϕ	ϕA	ϕB	*Dim C	Dim. D	Dim. E	Dim. F	ϕG
CM0715S	TSM15N or STS15	15.0	29.0	46.5	33.0	12.0	40.0	40.5	46.5
CM0722S	TSM22N or STS22	22.0	35.0	56.0	41.0	12.0	48.5	52.0	60.1
CM0728S	TSM28N or STS28	28.0	46.0	65.9	38.0	14.3	57.5	59.5	68.1

Dimensions in mm