

Speedfit x Union Nut With Service Valve Hand Tighten

Connects a supply to a tap or other fixture or appliance

Overview

Speedfit x Union Nut Flexi Hose for the connection to a male thread appliance such as a tap. The white PVC hose material significantly reduces the hose 'kinking' and makes the product easier to clean. Ideal for bathroom basin and bath taps, the valve enables water to be isolated in the event of an emergency or for maintenance work using an easy to operate handle.

Simply push the fitting fully onto the pipe and screw the nut onto the thread of the appliance. To demount the push-fit end, push the collet towards the body of the fitting and pull the pipe release. The fitting is quicker and easier to install in confined spaces than traditional methods as it eliminates the need for hot works or tools.

Designed, manufactured and assembled in the UK.

Features & Benefits

- An alternative to hard piping to a tap or fixture
- Flexible design makes installation hassle free
- Safe flame-free installation, with no hot works, glue or flux
- White PVC design stops the pipe kinking and makes cleaning easier
- Grip & Seal collet with stainless steel teeth and main O-Ring seal
- Suitable for use with JG Speedfit PEX and polybutylene barrier pipe (inserts required) and copper pipe
- Suitable for hot and cold water only (6 Bar @ 65 °C)



Product code	Description	Size	Bag QTY
Plastic valve - 300mm			
PFLX37	Speedfit x Union Nut with Service Valve Hand Tighten	15mm x 1/2" BSP	2
Plastic valve - 500mm			
PFLX78	Speedfit x Union Nut with Service Valve Hand Tighten	15mm x 1/2" BSP	2
Plastic valve with handle - 300mm			
PFLX37-H	Speedfit x Union Nut with Service Valve Hand Tighten	15mm x 1/2" BSP	2



50 year guarantee when used with JG Speedfit Layflat PB and PEX Barrier Pipes

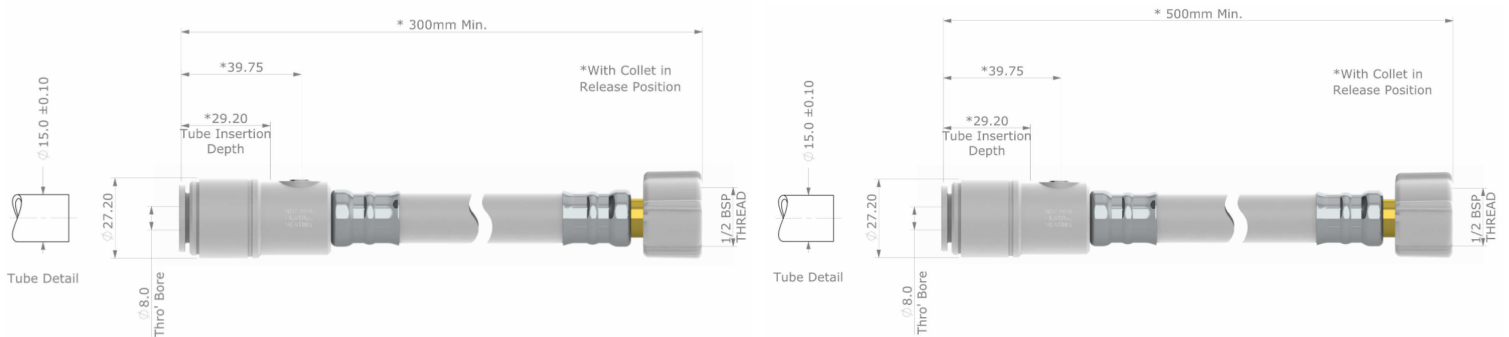
Speedfit x Union Nut Flexi Hose With Service Valve Hand Tighten

Working parameters & specifications

Application	Maximum working temperature °C	Maximum working pressure, bar
Cold Water (indirect and direct mains)	20	12
Hot Water (including unvented cylinders)	65	6

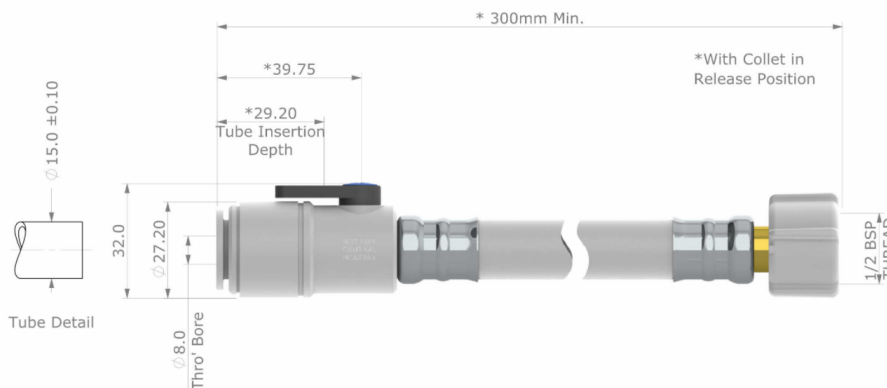
Materials	
Body	Acetal Copolymer (Unfilled) White
O-Ring	Ethylene Polypropylene Diene Monomer (EPDM)
Collet	Acetal Copolymer (Unfilled) White
Collet Teeth	Stainless Steel
Ferule	Stainless Steel
Flexible Hose	Multi-Layered PVC, Polyester Fibre Reinforced & Hytel
Body Seal	Nitrile, Black
Actuating Ball	Brass, Chrome Plated
Hose Barb	Acetal Copolymer (Unfilled), White
Captive Nut	Nylon (Mineral Filled)
Actuating Ball	Brass, Chrome Plated
Valve Handle	Polyacrylmide (Glass Filled), Black
Captive Nut	Brass, Nickel Plated
Actuating Ball	Brass, Chrome Plated
Handle Cover	Polypropylene (Mineral Filled), Red & Blue
Screw	Steel, Zinc Plated

Dimensions – All measurements in mm unless otherwise stated



PFLX37

PFLX38



PFLX37-H

Dimensions in mm