

Speedfit x Union Nut Flexi Hose With Service Valve

Connects a supply to a tap or other fixture or appliance

Overview

Speedfit x Union Nut Flexi Hose for the connection to a male thread appliance, such as a tap. The white PVC hose material significantly reduces the hose 'kinking' and makes the product easier to clean. Ideal for bathroom basin and bath taps, the valve enables water to be isolated in the event of an emergency or for maintenance work using an easy to operate integrated handle.

Simply push the fitting fully onto the pipe and screw the nut onto the thread of the appliance. To demount the push-fit end, push the collet towards the body of the fitting and pull the pipe release. The fitting is quicker and easier to install in confined spaces than traditional methods as it eliminates the need for hot works or tools.

Designed, manufactured and assembled in the UK.

Features & Benefits

- An alternative to hard piping to a tap or fixture
- Integral service valve for isolation with an easy-to-operate handle
- Flexible design makes installation hassle free
- Safe flame-free installation, with no hot works, glue or flux
- White PVC design stops the pipe kinking and makes cleaning easier
- Grip & Seal collet with stainless steel teeth and main O-Ring seal
- Suitable for use with JG Speedfit PEX and polybutylene barrier pipe (inserts required) and copper pipe
- Suitable for hot and cold water only (6 Bar @ 65 °C)



Product code	Description	Size	Bag QTY
Plastic valve with handle - 300mm			
WFLX37-H	Speedfit x Union Nut	15mm x 1/2" BSP	2
WFLX39-H	Speedfit x Union Nut	22mm x 3/4" BSP	2



50 year guarantee when used with JG Speedfit Layflat PB and PEX Barrier Pipes

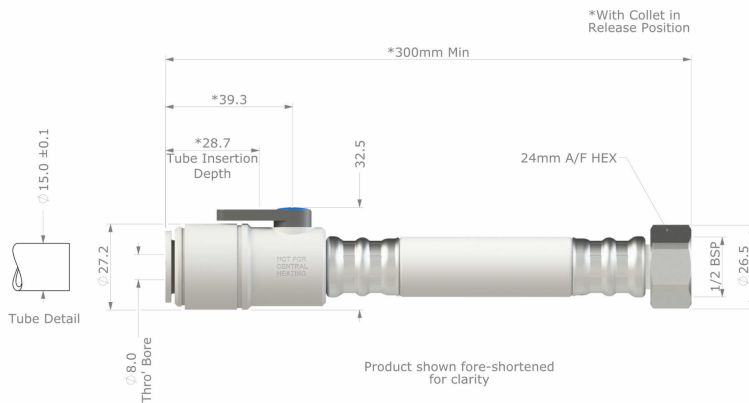
Speedfit x Union Nut Flexi Hose With Service Valve

Working parameters & specifications

Application	Maximum working, temperature °C	Maximum working pressure, bar
Cold Water (indirect and direct mains)	20	12
Hot Water (including unvented cylinders)	65	6

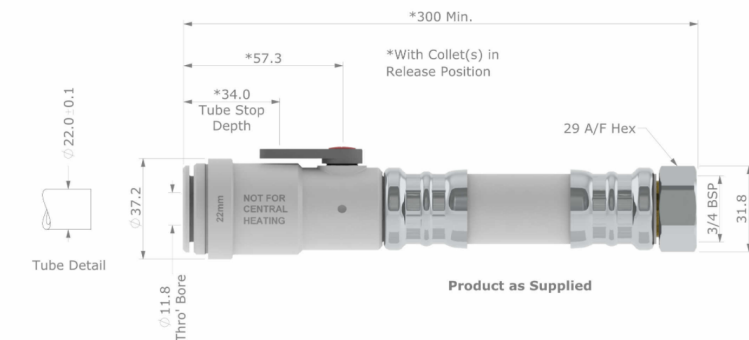
Materials	
Body	Acetal Copolymer (Unfilled) White
O-Ring	Ethylene Polypropylene Diene Monomer (EPDM)
Collet	Acetal Copolymer (Unfilled) White
Collet Teeth	Stainless Steel
Ferule	Stainless Steel
Flexible Hose	Multi-Layered PVC, Polyester Fibre Reinforced & Hytel
Body Seal	Nitrile, Black
Actuating Ball	Brass, Chrome Plated
Hose Barb	Acetal Copolymer (Unfilled), White
Captive Nut	Brass, Nickel Plated
Actuating Ball	Brass, Chrome Plated
Valve Handle	Polyacrylmide (Glass Filled), Dark Grey
Captive Nut	Brass, Nickel Plated
Actuating Ball	Brass, Chrome Plated
Handle Cover	Polypropylene (Mineral Filled), Red & Blue
Screw	Steel, Zinc Plated

Dimensions – All measurements in mm unless otherwise stated



WFLX37-H

Dimensions in mm



WFLX39-H

Dimensions in mm