

Manifold Elbow Connector (Nickel Plated)

Connection elbow for connecting a pump pack to a manifold

Overview

JG Underfloor Manifold Elbow Connector is used to install a pump pack and manifold at 90° to each other.

Features & benefits

- Nickel plated
- 90°C angle
- For use with JG Underfloor control pack and manifolds
- Suitable for underfloor heating applications only



Product code	Description	Pack QTY
JGUFHMANELB/2	JG Underfloor Manifold Elbow Connector (Nickel Plated)	1

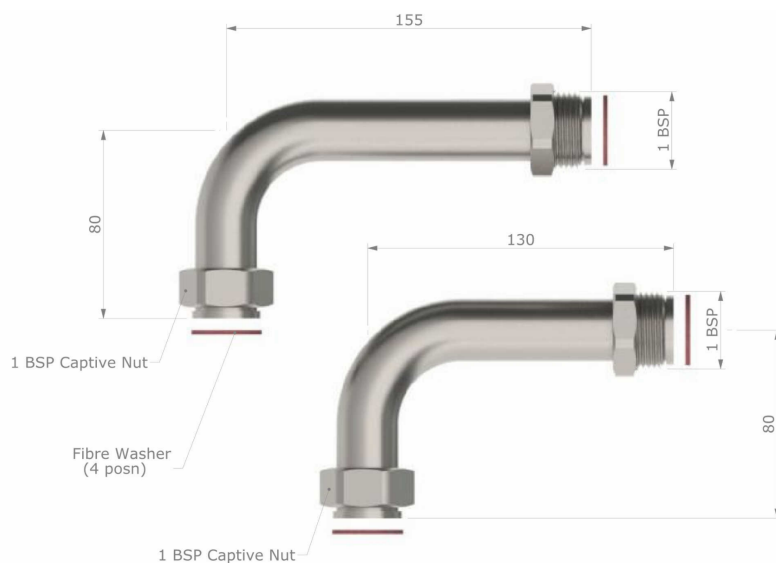
Materials

Tube	Brass, Nickel Plate
Nut	Brass, Nickel Plate
Sealing Washer	Fibre

Applications

Underfloor Heating

Dimensions – All measurements in mm unless otherwise stated



Dimensions in mm

