

Brass Straight Adaptor (BSP Thread)

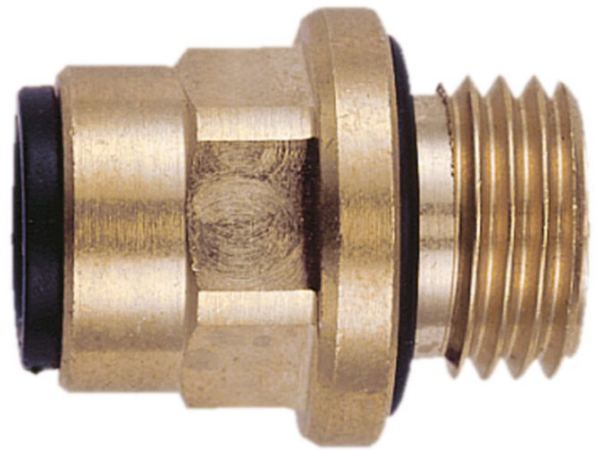
Converts a metric pushfit connection to a threaded BSP type connection

Overview

John Guest brass straight adaptor (BSP thread) push-fit fitting connects metric pipe to imperial pipe sizes. Fast and simple to install, John Guest Air and Pneumatics creates an instant connection and airtight seal without the need for tools, hot works or sealing agents. Air piping systems can be set up and installed 50% quicker than traditional methods.

The unique collet locking design firmly and securely holds the pipe in place without deforming the pipe or restricting flow. Fittings are also fully demountable, reducing system downtime during maintenance and making it quick and easy to modify or extend systems.

Designed in brass, fittings are compatible with John Guest nylon, powder coated aluminium or LLDPE tubing, as well as copper, PEXa and other soft metal pipe materials. All John Guest fittings are manufactured and assembled in the UK.



Features & Benefits

- Brass push-fit adaptor for connecting to BSP threads
- Brass fitting with nitrile O-Ring
- Airtight connection with superior flow characteristics
- Instant push-fit connection and demountable without tools
- Secure collet cover prevents accidental disconnection
- Suitable for air and pneumatics piping systems up to 10 bar
- Ideal for air, inert gases and vacuum applications
- Food grade fitting suitable for potable liquids
- Compatible with soft metal or plastic pipe/tubing

Product code	Description	Size	Bag QTY
MMO10411	Brass Straight Adaptor (BSP Thread)	4mm x 1/8" BSP	10
MMO10611	Brass Straight Adaptor (BSP Thread)	6mm x 1/8" BSP	10
MMO10612	Brass Straight Adaptor (BSP Thread)	6mm x 1/4" BSP	10
MMO10812	Brass Straight Adaptor (BSP Thread)	8mm x 1/4" BSP	10



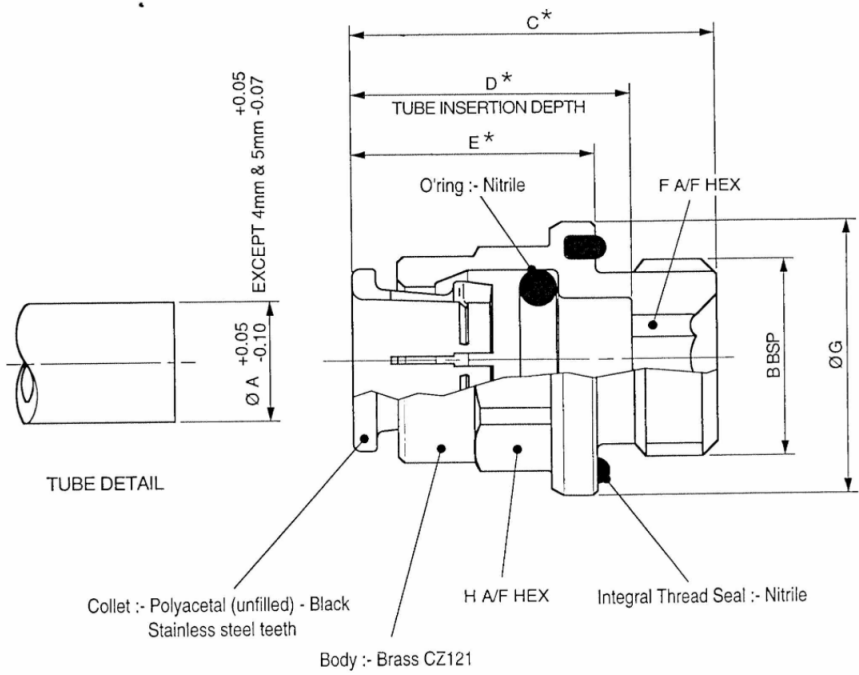
Brass Straight Adaptor (BSP Thread)

Working parameters & specifications

Application	Maximum working pressure, bar
Air	16 Bar

Materials	
Body	Brass
O-Ring	Nitrile, Black
Collet	Acetal Copolymer (Unfilled), Black
Collet Teeth	Stainless Steel 301

Dimensions – All measurements in mm unless otherwise stated



* These dims with collet in fully released position.

Product No.	Ø A	B BSP	Dim C*	Dim D*	Dim E*	Dim F	Ø G	Dim H
MM010411	4	1/8	17.0	14.3	11.5	3.0	15.0	11.0
MM010611	6	1/8	19.0	15.8	13.5	4.0	15.0	12.0
MM010612	6	1/4	21.2	15.8	14.5	5.0	18.4	14.0
MM010812	8	1/4	21.2	16.9	14.5	5.0	18.4	14.0

Dim F also represents min. through bore

All dimensions in mm