

Bulkhead Connector

Connects metric pipe connections that are made through walls or partitions.

Overview

John Guest brass bulkhead adaptor push-fit fitting for the connections of metric pipe in through-wall applications. Fast and simple to install, John Guest Air and Pneumatics creates an instant connection and airtight seal without the need for tools, hot works or sealing agents. Air piping systems can be set up and installed 50% quicker than traditional methods.

The unique collet locking design firmly and securely holds the pipe in place without deforming the pipe or restricting flow. Fittings are also fully demountable, reducing system downtime during maintenance and making it quick and easy to modify or extend systems.

Designed in brass, fittings are compatible with John Guest nylon, powder coated aluminium or LLDPE tubing, as well as copper, PEXa and other soft metal pipe materials. All John Guest fittings are manufactured and assembled in the UK.



Features & Benefits

- Strong acetal copolymer fitting with nitrile O-Ring
- Airtight connection with superior flow characteristics
- Instant push-fit connection and demountable without tools
- Secure collet cover prevents accidental disconnection
- Suitable for air and pneumatics piping systems up to 10 bar
- Ideal for air, inert gases and vacuum applications
- Food grade fitting suitable for potable liquids
- Compatible with soft metal or plastic pipe/tubing

Product code	Description	Size	Bag QTY
PM1204E	Bulkhead Connector	4mm	10
PM1205E	Bulkhead Connector	5mm	10
PM1206E	Bulkhead Connector	6mm	10
PM1208E	Bulkhead Connector	8mm	10
PM1210E	Bulkhead Connector	10mm	10
PM1212E	Bulkhead Connector	12mm	10



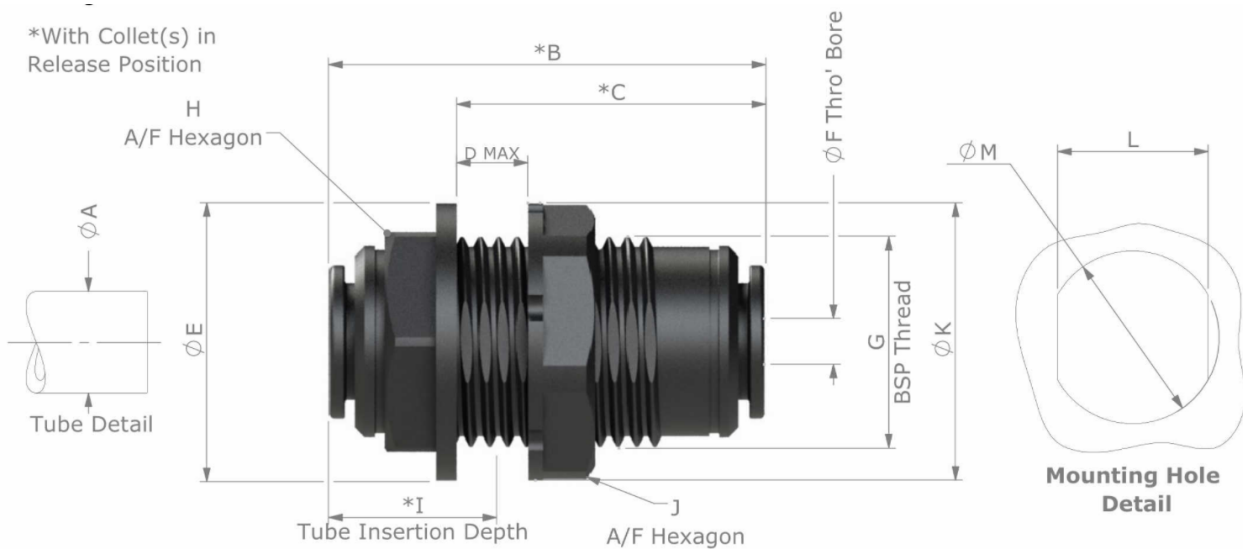
Bulkhead Connector

Working parameters & specifications

Application	Maximum working pressure, bar
Air	16 Bar

Materials	
Body	Plastic
O-Ring	Nitrile, Black
Collet	Acetal Copolymer (Unfilled), Black
Collet Teeth	Stainless Steel 301

Dimensions – All measurements in mm unless otherwise stated



Product No.	Size	A-Tube O/D	B	C	D	E	F	G	H	I	J	K	L	M	
PM1204E	4mm	4mm	+0.05/-0.07	35.2	25.3	13.5	22.9	2.5	3/8	19	14.3	20	22.1	14.8	17.0
PM1205E	5mm	5mm		35.2	25.3	13.5	22.9	3.4	3/8	19	14.3	20	22.1	14.8	17.0
PM1206E	6mm	6mm	+0.05/-0.10	34.5	25.0	13.5	22.9	4.8	3/8	19	15.7	20	22.1	14.8	17.0
PM1208E	8mm	8mm		40.0	28.9	16.0	27.4	5.8	1/2	22	16.7	25	27.4	19.5	21.5
PM1210E	10mm	10mm		40.9	29.4	16.0	27.4	27.4	1/2	22	19.7	25	27.4	19.5	21.5
PM1212E	12mm	12mm		51.0	38.4	22.5	34.0	8.7	3/4	28	24.7	32	38	24.2	27.0

Dimensions in mm