

Equal Tee Compact

Connects 3 pipes of equal pipe size.

Overview

John Guest equal tee push-fit fitting connects three pipes/tubes of equal connection size. Fast and simple to install, John Guest Air and Pneumatics creates an instant connection and airtight seal without the need for tools, hot works or sealing agents. Air piping systems can be set up and installed 50% quicker than traditional methods.

The unique collet locking design firmly and securely holds the pipe in place without deforming the pipe or restricting flow. Fittings are also fully demountable, reducing system downtime during maintenance and making it quick and easy to modify or extend systems.

Designed in tough engineered plastic, fittings are compatible with John Guest nylon, powder coated aluminium or LLDPE tubing, as well as copper, PEXa and other soft metal pipe materials. All John Guest fittings are manufactured and assembled in the UK.



Features & Benefits

- Strong acetal copolymer fitting with nitrile O-Ring
- Airtight connection with superior flow characteristics
- Instant push-fit connection and demountable without tools
- Secure collet cover prevents accidental disconnection
- Suitable for air and pneumatics piping systems up to 10 bar
- Ideal for air, inert gases and vacuum applications
- Food grade fitting suitable for potable liquids
- Compatible with soft metal or plastic pipe/tubing

Product code	Description	Size	Bag QTY
PM0204E	Equal Tee	4mm	10
PM0205E	Equal Tee	5mm	5
PM0206E	Equal Tee	6mm	5
PM0208E	Equal Tee	8mm	5
PM0210E	Equal Tee	10mm	
PM0212E	Equal Tee	12mm	



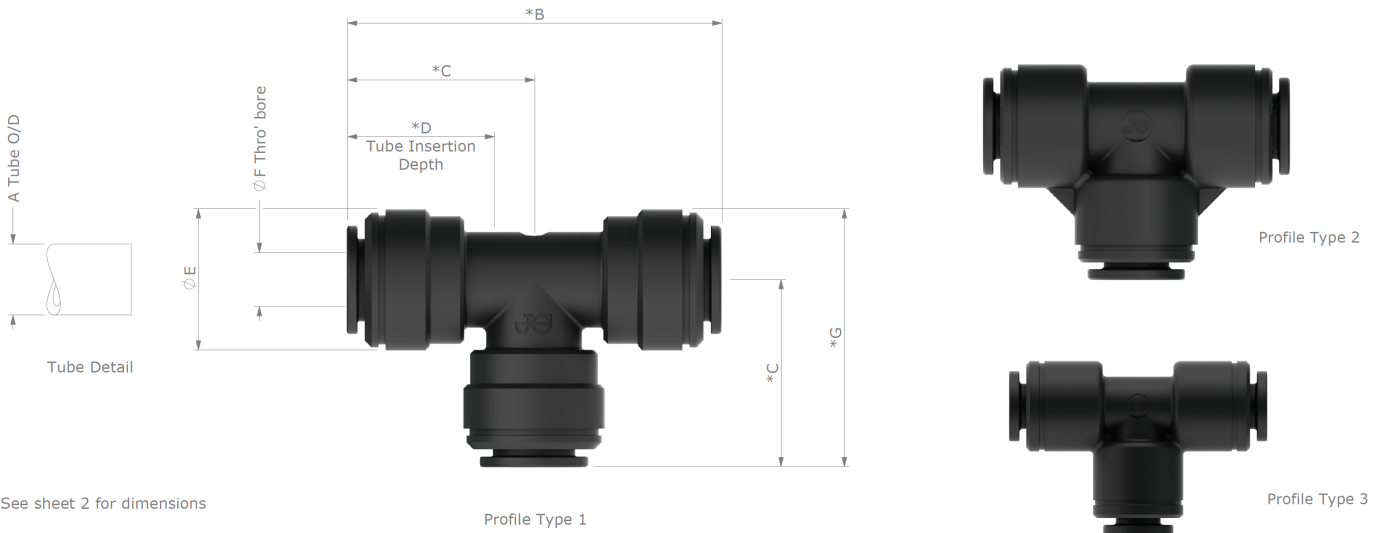
Equal Tee Compact

Working parameters & specifications

Application	Maximum working pressure, bar
Air	16 Bar

Materials	
Body	Plastic
O-Ring	Nitrile, Black
Collet	Acetal Copolymer (Unfilled), Black
Collet Teeth	Stainless Steel 301

Dimensions – All measurements in mm unless otherwise stated



See sheet 2 for dimensions

*With Collet(s) in release position

Product No.	Size	A Tube O/D	B	C	D	E	F	G	Profile Type
PM0204E	4mm	4.00+0.05 / -0.07	35.2	17.6	14.3	13.0	2.5	24.1	3
PM0205E	5mm	5.00+0.05 / -0.07	35.2	17.6	14.3	13.0	3.4	24.1	3
PM0206E	6mm	6.00+0.05 / -0.10	39.3	19.6	15.7	15.0	4.8	27.1	1
PM0208E	8mm	8.00+0.05 / -0.10	42.0	21.0	16.7	17.8	6.3	29.9	2
PM0210E	10mm	10.00+0.05 / -0.10	50.7	25.4	19.7	19.9	7.6	35.3	1
PM0212E	12mm	12.00+0.05 / -0.10	65.0	32.5	25.9	23.0	8.6	44.0	1
PM0215E	15mm	15.00+0.05 / -0.10	74.6	37.3	28.3	27.0	12.0	50.8	1
PM0218E	18mm	18.00+0.05 / -0.10	88.3	44.2	31.0	31.1	16.0	59.7	1
PM0222E	22mm	22.00+0.05 / -0.10	97.7	48.9	34.3	35.5	19.2	66.6	1