

Reducing Elbow Connector Metric

Connects 2 pipes or tubing of un-equal pipe size to form a 90°

Overview

John Guest equal elbow push-fit fitting connects two unequal sized pipes/tubes to form a 90° pipe bend. Fast and simple to install, John Guest Air and Pneumatics creates an instant connection and airtight seal without the need for tools, hot works or sealing agents. Air piping systems can be set up and installed 50% quicker than traditional methods.

The unique collet locking design firmly and securely holds the pipe in place without deforming the pipe or restricting flow. Fittings are also fully demountable, reducing system downtime during maintenance and making it quick and easy to modify or extend systems.

Designed in tough engineered plastic, fittings are compatible with John Guest nylon, powder coated aluminium or LLDPE tubing, as well as copper, PEXa and other soft metal pipe materials. All John Guest fittings are manufactured and assembled in the UK



Features & Benefits

- Strong acetal copolymer fitting with nitrile O-Ring
- Airtight connection with superior flow characteristics
- Instant push-fit connection and demountable without tools
- Secure collet cover prevents accidental disconnection
- Suitable for air and pneumatics piping systems up to 10 bar
- Ideal for air, inert gases and vacuum applications
- Food grade fitting suitable for potable liquids
- Compatible with soft metal or plastic pipe/tubing

Product code	Description	Size	Bag QTY
PM210604E	Reducing Elbow Connector	6 x 4mm	10
PM210804E	Reducing Elbow Connector	8 x 4mm	10
PM210806E	Reducing Elbow Connector	8 x 6mm	10
PM211004E	Reducing Elbow Connector	10 x 4mm	10
PM211006E	Reducing Elbow Connector	10 x 6mm	10
PM211008E	Reducing Elbow Connector	10 x 8mm	10
PM211208E	Reducing Elbow Connector	12 x 8mm	10
PM211210E	Reducing Elbow Connector	12 x 10mm	10



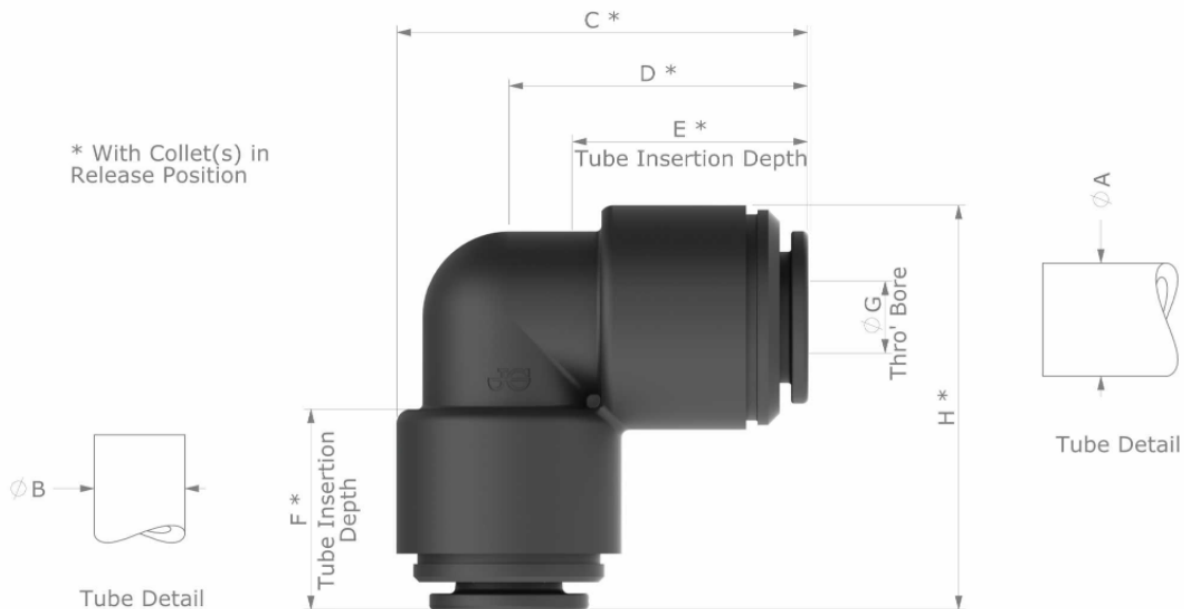
Reducing Elbow Connector

Working parameters & specifications

Application	Maximum working pressure, bar
Air	16 Bar

Materials	
Body	Brass
O-Ring	Nitrile, Black
Collet	Acetal Copolymer (Unfilled), Black
Collet Teeth	Stainless Steel 301

Dimensions – All measurements in mm unless otherwise stated



Product No.	Description	A - Tube O/D	B - Tube O/D	C	D	E	F	ØG	H	
PM210604E	6mm - 4mm Tube O/D	6mm	4mm	27.1	19.6	15.7	14.3	2.5	27.5	
PM210804E	8mm - 4mm Tube O/D	8mm	4mm	+0.05/-0.07	30.0	21.0	16.7	14.3	2.5	30.0
PM210806E	8mm - 6mm Tube O/D	8mm	6mm	+0.05/-0.10	30.0	21.0	16.7	15.7	4.8	29.7
PM211004E	10mm - 4mm Tube O/D	10mm	4mm	+0.05/-0.07	35.2	25.3	19.7	14.3	2.5	34.9
PM211006E	10mm - 6mm Tube O/D	10mm	6mm	+0.05/-0.10	35.2	25.3	19.7	15.7	4.8	34.5
PM211008E	10mm - 8mm Tube O/D	10mm	8mm		35.5	25.6	19.7	16.7	6.4	34.7
PM211208E	12mm - 8mm Tube O/D	12mm	8mm		41.2	32.2	24.7	16.7	6.4	40.5
PM211210E	12mm - 10mm Tube O/D	12mm	10mm	43.8	33.1	24.7	19.3	7.6	42.3	

Dimensions in mm