

# Stem Adaptor Imperial (NPTF Thread)

**Allows for the connection of 2 John Guest fittings to create a swivel type connection**

## Overview

The John Guest Stem Adaptor (NPTF Thread) is designed to adapt a pushfit connection to a swivel type connection. Quick & Easy to install, the John Guest Air & Pneumatics range ensures air tight pipe connections are made. Available in sizes 3mm to 28mm, our robust range of fittings and pipes are ideal for small, to mid-sized applications such as garages and a variety of other commercial air piping applications.

John guest fittings are rapidly installed using push to fit technology, eliminating the need for tools or sealing products. Our unique collet locking design firmly and securely holds the pipe in place with deforming the pipe or restricting flow. John guest air fittings are fully de-mountable, reducing production downtime for maintenance.

The fittings are available in tough engineered plastic or brass, including a unique water trap that removes moisture from the airline to improve system performance and longevity. Designed to work with our nylon, powder coated aluminium pipe or LLDPE tubing, our versatile solution is also compatible with copper, PEXa and other soft metal pipes.



## Features & Benefits

- Push-fit technology
- Quick disconnection without the need for tools
- Food Quality and suitable for potable liquids
- Suitable for soft metal or plastic tubes
- Suitable for air or inert gases
- Superior flow characteristics

Product code	Description	Size	Bag QTY
PMO50421S	Stem Adaptor (NPTF Thread)	5/32" x 1/8"	10
PMO50422S	Stem Adaptor (NPTF Thread)	5/32" x 1/8"	10
PIO50621S	Stem Adaptor (NPTF Thread)	3/16" x 1/8"	10
PIO50821S	Stem Adaptor (NPTF Thread)	1/4" x 1/8"	10
PIO50822S	Stem Adaptor (NPTF Thread)	1/4" x 1/4"	10
PIO50823S	Stem Adaptor (NPTF Thread)	1/4" x 3/8"	10
PMO50821S	Stem Adaptor (NPTF Thread)	5/16" x 1/8"	10
PMO50822S	Stem Adaptor (NPTF Thread)	5/16" x 1/4"	10
PMO50823S	Stem Adaptor (NPTF Thread)	5/16" x 3/8"	10
PIO51222S	Stem Adaptor (NPTF Thread)	3/8" x 1/4"	10
PIO51223S	Stem Adaptor (NPTF Thread)	3/8" x 3/8"	10
PIO51623S	Stem Adaptor (NPTF Thread)	1/2" x 3/8"	10
PIO51624S	Stem Adaptor (NPTF Thread)	1/2" x 1/2"	10



# Stem Adaptor Imperial (NPTF Thread)

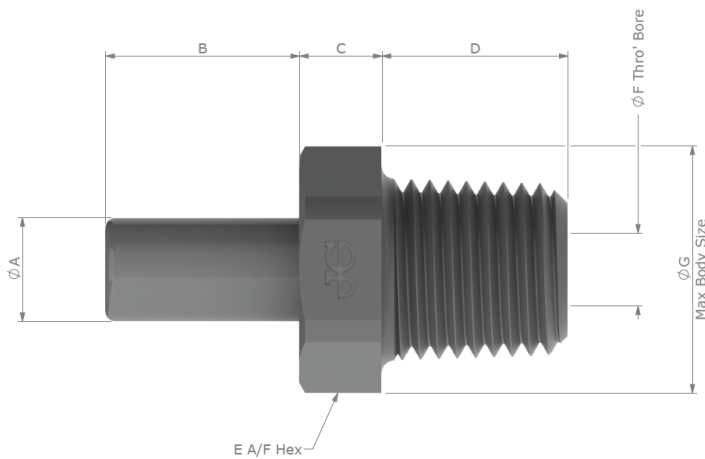
## Working parameters & specifications

Application	Maximum working pressure, bar
Air	16 Bar

## Materials

Body	Acetal Copolymer (Unfilled)
Thread Seal	Nitrile,

## Dimensions – All measurements in mm unless otherwise stated



Product Number	Size	A Stem OD	B	C	D	E	F	G
PM050421S	5/32" x 1/8 NPTF	5/32"	0.48 [12.3]	0.25 [6.4]	0.37 [9.5]	9/16"	0.10 [2.5]	0.61 [15.4]
PM050422S	5/32" x 1/4 NPTF		0.48 [12.3]	0.25 [6.4]	0.56 [14.3]	9/16"	0.10 [2.5]	0.61 [15.4]
PI050621S	3/16" x 1/8 NPTF	3/16"	0.48 [12.3]	0.25 [6.4]	0.37 [9.5]	11/16"	0.12 [3.0]	0.75 [19.0]
PI050821S	1/4" x 1/8 NPTF	1/4"	0.54 [13.8]	0.25 [6.4]	0.37 [9.5]	11/16"	0.18 [4.4]	0.75 [19.0]
PI050822S	1/4" x 1/4 NPTF		0.54 [13.8]	0.25 [6.4]	0.56 [14.3]	11/16"	0.18 [4.4]	0.75 [19.0]
PI050823S	1/4" x 3/8 NPTF		0.54 [13.8]	0.25 [6.4]	0.56 [14.2]	13/16"	0.18 [4.4]	0.89 [22.6]
PM050821S	5/16" x 1/8 NPTF	5/16"	0.59 [14.9]	0.25 [6.4]	0.37 [9.5]	11/16"	0.22 [5.6]	0.75 [19.0]
PM050822S	5/16" x 1/4 NPTF		0.59 [14.9]	0.25 [6.4]	0.56 [14.3]	11/16"	0.22 [5.6]	0.75 [19.0]
PM050823S	5/16" x 3/8 NPTF		0.59 [14.9]	0.25 [6.4]	0.56 [14.3]	13/16"	0.22 [5.6]	0.89 [22.6]
PI051222S	3/8" x 1/4 NPTF	3/8"	0.70 [17.8]	0.25 [6.4]	0.56 [14.3]	13/16"	0.26 [6.5]	0.89 [22.6]
PI051223S	3/8" x 3/8 NPTF		0.70 [17.8]	0.25 [6.4]	0.56 [14.3]	13/16"	0.26 [6.5]	0.89 [22.6]
PI051623S	1/2" x 3/8 NPTF	1/2"	0.81 [20.5]	0.39 [10.0]	0.56 [14.3]	1"	0.38 [9.6]	1.11 [28.3]
PI051624S	1/2" x 1/2 NPTF		0.81 [20.6]	0.39 [10.0]	0.63 [16.0]	1"	0.38 [9.6]	1.10 [28.0]