

# Straight Adaptor (BSP Thread)

**Converts metric to a BSP type thread connection**

## Overview

John Guest Straight Adaptor BSP thread is a Push-fit fitting designed for the connection of metric pipe to BSP type thread connections. Quick & Easy to install, the John Guest Air & Pneumatics range ensures air tight pipe connections are made. Available in sizes 3mm to 28mm, our robust range of fittings and pipes are ideal for small, to mid-sized applications such as garages and a variety of other commercial air piping applications.

John guest fittings are rapidly installed using push to fit technology, eliminating the need for tools or sealing products. Our unique collet locking design firmly and securely holds the pipe in place with deforming the pipe or restricting flow. John guest air fittings are fully de-mountable, reducing production downtime for maintenance.

The fittings are available in tough engineered plastic or brass, including a unique water trap that removes moisture from the airline to improve system performance and longevity. Designed to work with our nylon, powder coated aluminium pipe or LLDPE tubing, our versatile solution is also compatible with copper, PEXa and other soft metal pipes.

## Features & Benefits

- Strong acetal copolymer fitting with nitrile O-Ring
- Airtight connection with superior flow characteristics
- Instant push-fit connection and demountable without tools
- Secure collet cover prevents accidental disconnection
- Suitable for air and pneumatics piping systems up to 10 bar
- Ideal for air, inert gases and vacuum applications
- Food grade fitting suitable for potable liquids
- Compatible with soft metal or plastic pipe/tubing



Product code	Description	Size	Bag QTY
PMO10411E	Straight Adaptor (BSP Thread) Plastic	4mm x 1/8"	10
PMO10412E	Straight Adaptor (BSP Thread) Plastic	4mm x 1/4"	10
PMO10511E	Straight Adaptor (BSP Thread) Plastic	5mm x 1/8"	10
PMO10512E	Straight Adaptor (BSP Thread) Plastic	5mm x 1/4"	10
PMO10611E	Straight Adaptor (BSP Thread) Plastic	6mm x 1/8"	10
PMO10612E	Straight Adaptor (BSP Thread) Plastic	6mm x 1/4"	10
PMO10811E	Straight Adaptor (BSP Thread) Plastic	8mm x 1/8"	10
PMO10812E	Straight Adaptor (BSP Thread) Plastic	8mm x 1/4"	10
PMO10813E	Straight Adaptor (BSP Thread) Plastic	8mm x 3/8"	10
PMO11014E	Straight Adaptor (BSP Thread) Plastic	10mm x 1/4"	10
PMO11013E	Straight Adaptor (BSP Thread) Plastic	10mm x 3/8"	10
PMO11014E	Straight Adaptor (BSP Thread) Plastic	10mm x 1/2"	10
PMO11213E	Straight Adaptor (BSP Thread) Plastic	12mm x 3/8"	10
PMO11214E	Straight Adaptor (BSP Thread) Plastic	12mm x 1/2"	10



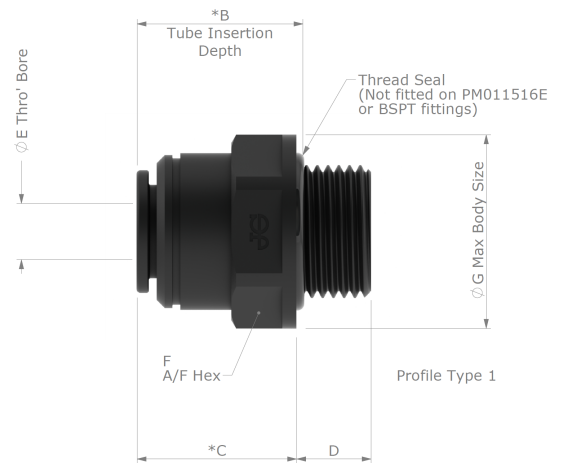
## Straight Adaptor (BSP Thread)

### Working parameters & specifications

Application	Maximum working pressure, bar
Air	16 Bar (4-8mm) / 10 Bar (8-28mm)

Materials	
Body	Acetal Copolymer
Collet	Glass Filled Nylon
Collet Teeth	Stainless Steel 301

### Dimensions – All measurements in mm unless otherwise stated



Product No.	Size	B	C	D	E	F	G
PM010411E	4mm x 1/8 BSP	14.3	16.6	5.5	2.5	14.0	15.4
PM010412E	4mm x 1/4 BSP		16.1	8.0	2.5	17.0	18.3
PM010511E	5mm x 1/8 BSP	14.3	16.6	5.5	3.4	14.0	15.4
PM010512E	5mm x 1/4 BSP		16.1	8.0	3.4	17.0	18.3
PM010611E	6mm x 1/8 BSP	15.7	19.8	5.5	4.1	15.0	15.8
PM010612E	6mm x 1/4 BSP		15.8	8.0	4.8	17.0	18.3
PM010811E	8mm x 1/8 BSP	16.7	20.0	5.5	4.1	17.0	17.8
PM010812E	8mm x 1/4 BSP		16.0	8.0	6.3	17.0	18.3
PM010813E	8mm x 3/8 BSP		15.8	9.3	6.3	22.0	24.1
PM011012E	10mm x 1/4 BSP	19.7	23.2	8.0	7.1	20.0	21.8
PM011013E	10mm x 3/8 BSP		18.9	9.3	7.0	22.0	24.1
PM011014E	10mm x 1/2 BSP		16.5	12.5	7.6	27.0	29.8
PM011213E	12mm x 3/8 BSP	24.7	21.3	9.3	8.5	24.0	26.4
PM011214E	12mm x 1/2 BSP		21.5	12.5	8.5	27.0	29.8