

# Swivel Elbow (Super Thread)

**Connects metric to imperial sized pipe to form a swivel type 90 degree pipe bend**

## Overview

John Guest swivel elbow (super thread) push-fit fitting connects metric to imperial pipes or tubes to form a 90° swivel type connection. Fast and simple to install, John Guest Air and Pneumatics creates an instant connection and airtight seal without the need for tools, hot works or sealing agents. Air piping systems can be set up and installed 50% quicker than traditional methods.

The unique collet locking design firmly and securely holds the pipe in place without deforming the pipe or restricting flow. Fittings are also fully demountable, reducing system downtime during maintenance and making it quick and easy to modify or extend systems.

Designed in tough engineered plastic, fittings are compatible with John Guest nylon, powder coated aluminium or LLDPE tubing, as well as copper, PEXa and other soft metal pipe materials. All John Guest fittings are manufactured and assembled in the UK.



## Features & Benefits

- Strong acetal copolymer fitting with nitrile O-Ring
- Airtight connection with superior flow characteristics
- Instant push-fit connection and demountable without tools
- Secure collet cover prevents accidental disconnection
- Suitable for air and pneumatics piping systems up to 10 bar
- Ideal for air, inert gases and vacuum applications
- Food grade fitting suitable for potable liquids
- Compatible with soft metal or plastic pipe/tubing

Product code	Description	Size	Bag QTY
RM090411	Swivel Elbow (Super Thread)	4mm x 1/8"	10
RM090412	Swivel Elbow (Super Thread)	4mm x 1/4"	10
RM090611	Swivel Elbow (Super Thread)	6mm x 1/8"	10
RM090612	Swivel Elbow (Super Thread)	6mm x 1/4"	10
RM090811	Swivel Elbow (Super Thread)	8mm x 1/8"	10
RM090812	Swivel Elbow (Super Thread)	8mm x 1/4"	10
RM091012	Swivel Elbow (Super Thread)	10mm x 1/4"	10
RM091013	Swivel Elbow (Super Thread)	10mm x 3/8"	10
RM091213	Swivel Elbow (Super Thread)	12mm x 3/8"	10
RM091214	Swivel Elbow (Super Thread)	12mm x 1/2"	10



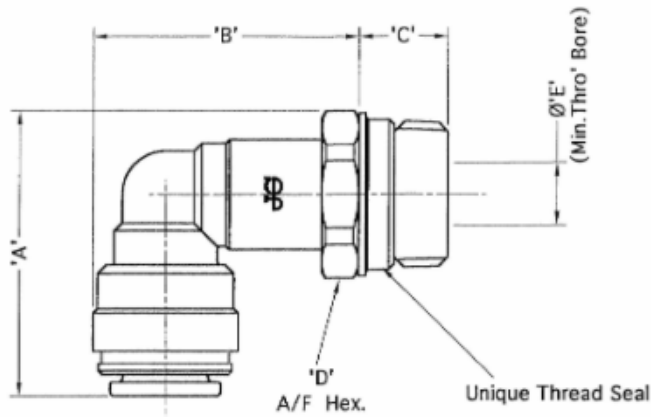
# Swivel Elbow (Super Thread)

## Working parameters & specifications

Application	Maximum working pressure, bar
Air	16 Bar

Materials	
Body	Brass
O-Ring	Nitrile, Black
Collet	Acetal Copolymer (Unfilled), Black
Collet Teeth	Stainless Steel 301

## Dimensions – All measurements in mm unless otherwise stated



Part No	Description	A	B	C	D	ØE
RM090411	4mm x 1/8	23.3	24.8	7.1	10.0	3.4
RM090411N	4mm x 1/8					
RM090412	4mm x 1/4	25.4	25.0	10.0	14.0	3.4
RM090412N	4mm x 1/4					
RM090511	5mm x 1/8	23.3	24.8	7.1	10.0	3.4
RM090511N	5mm x 1/8					
RM090512	5mm x 1/4	25.4	25.0	10.0	14.0	3.4
RM090512N	5mm x 1/4					
RM090611	6mm x 1/8	24.9	25.9	7.1	10.0	3.8
RM090611N	6mm x 1/8					
RM090512	6mm x 1/4	27.2	26.0	10.0	14.0	3.8
RM090512N	6mm x 1/4					
RM090811	8mm x 1/8	27.9	28.8	7.1	12.0	3.8
RM090811N	8mm x 1/8					
RM090812	8mm x 1/4	29.0	29.0	10.0	14.0	5.2
RM090812N	8mm x 1/4					
RM090813	8mm x 3/8	30.6	29.2	10.0	17.0	5.2
RM090813N	8mm x 3/8					
RM091012	10mm x 1/4	33.4	32.9	10.0	15.0	5.8
RM091012N	10mm x 1/4					
RM091013	10mm x 3/8	34.5	33.1	10.0	17.0	7.4
RM091013N	10mm x 3/8					
RM091014	10mm x 1/2	37.3	33.3	14.0	22.0	7.4
RM091014N	10mm x 1/2					
RM091213	12mm x 3/8	41.8	37.1	10.0	17.0	8.6
RM091213N	12mm x 3/8					
RM091214	12mm x 1/2	44.5	37.4	14.0	22.0	8.6
RM091214N	12mm x 1/2					

Note. Product No. with suffix 'N' indicates Bright Nickel Plate finish.  
Product No. without suffix 'N' indicates Plain Brass finish.

ISSUE 2 02-06-98