

# Swivel Male Run Tee (BSP Thread)

**Pushfit fitting for connecting 2 pipe of equal connection size and a further swivel type run connection.**

## Overview

John Guest swivel male run tee (BSP thread) push-fit fitting connects two pipes or tubes of equal connection size and an additional swivel BSP run connection. Fast and simple to install, John Guest Air and Pneumatics creates an instant connection and airtight seal without the need for tools, hot works or sealing agents. Air piping systems can be set up and installed 50% quicker than traditional methods.

The unique collet locking design firmly and securely holds the pipe in place without deforming the pipe or restricting flow. Fittings are also fully demountable, reducing system downtime during maintenance and making it quick and easy to modify or extend systems.

Designed in tough engineered plastic, fittings are compatible with John Guest nylon, powder coated aluminium or LLDPE tubing, as well as copper, PEXa and other soft metal pipe materials. All John Guest fittings are manufactured and assembled in the UK.



## Features & Benefits

- Strong acetal copolymer fitting with nitrile O-Ring
- Airtight connection with superior flow characteristics
- Instant push-fit connection and demountable without tools
- Secure collet cover prevents accidental disconnection
- Suitable for air and pneumatics piping systems up to 10 bar
- Ideal for air, inert gases and vacuum applications
- Food grade fitting suitable for potable liquids
- Compatible with soft metal or plastic pipe/tubing

Product code	Description	Size
PM110411E	Swivel Male Run Tee (BSP Thread)	4mm x 1/8"
PM110612E	Swivel Male Run Tee (BSP Thread)	6mm x 1/4"
PM110812E	Swivel Male Run Tee (BSP Thread)	8mm x 1/8"
PM110813E	Swivel Male Run Tee (BSP Thread)	8mm x 3/8"
PM111012E	Swivel Male Run Tee (BSP Thread)	10mm x 1/4"
PM111013E	Swivel Male Run Tee (BSP Thread)	10mm x 3/8"



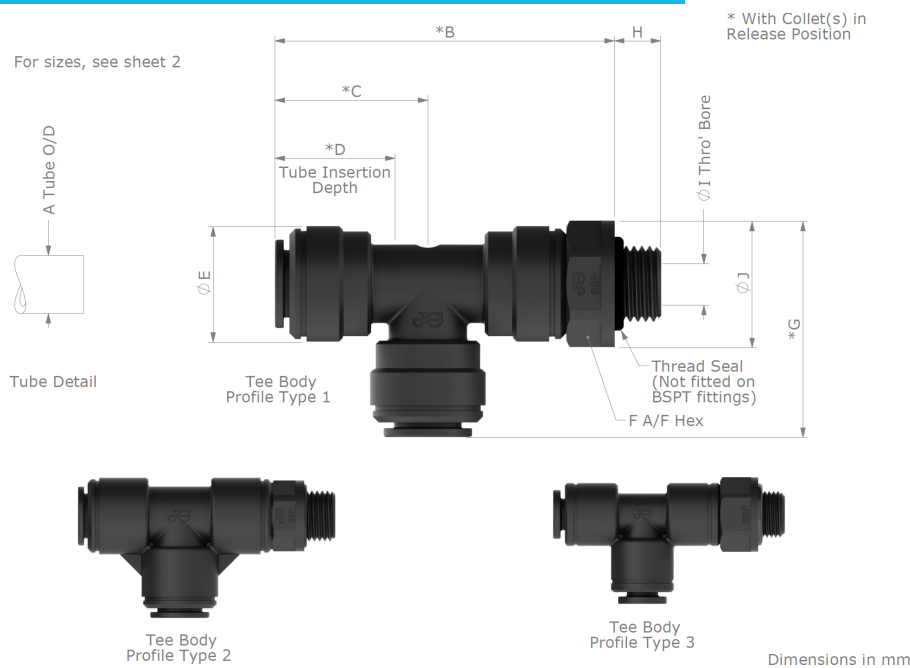
# Swivel Male Run Tee (BSP Thread)

## Working parameters & specifications

Application	Maximum working pressure, bar
Air	16 Bar

Materials	
Body	Plastic
O-Ring	Nitrile, Black
Collet	Acetal Copolymer (Unfilled), Black
Collet Teeth	Stainless Steel 301

## Dimensions – All measurements in mm unless otherwise stated



Product No.	Description	A - Tube O/D	B	C	D	E	F	G	H	I	J	Tee Body Profile Type
PM110411E	4mm x 1/8 BSP	4mm	41.5	17.6	14.3	13.0	14	25.3	5.5	2.5	15.4	3
PM110412E	4mm x 1/4 BSP	4mm	42.0				17	26.7	8.0	2.5	18.3	3
PM110511E	5mm x 1/8 BSP	5mm	41.5	17.6	14.3	13.0	14	25.3	5.5	3.4	15.4	3
PM110512E	5mm x 1/4 BSP	5mm	42.0				17	26.7	8.0	3.4	18.3	3
PM110611E	6mm x 1/8 BSP	6mm	45.6	19.6	15.7	15.0	15	27.5	5.5	4.2	15.8	1
PM110612E	6mm x 1/4 BSP	6mm	46.1				17	28.8	8.0	4.2	18.3	1
PM110811E	8mm x 1/8 BSP	8mm	48.4	21.0	16.7	17.8	17	29.9	5.5	4.2	17.8	2
PM110812E	8mm x 1/4 BSP	8mm	48.9				17	30.2	8.0	5.7	18.3	2
PM110813E	8mm x 3/8 BSP	8mm	48.6				22	33.1	9.3	5.7	24.1	2
PM111012E	10mm x 1/4 BSP	10mm	57.6	25.4	19.7	19.9	20	36.3	8.0	7.2	21.8	1
PM111013E	10mm x 3/8 BSP	10mm	57.3				22	37.4	9.3	7.0	24.1	1
PM111014E	10mm x 1/2 BSP	10mm	57.6				27	40.3	12.5	7.2	29.8	1
PM111213E	12mm x 3/8 BSP	12mm	71.1				32.5	25.9	23.0	24	45.7	9.3
PM111214E	12mm x 1/2 BSP	12mm	71.4	27	47.4	12.5				8.7	29.8	1