

Swivel Male Run Tee (BSPT Thread)

Pushfit fitting for connecting 2 pipes or tubes of equal connection size and a further swivel type run connection.

Overview

The John Guest Swivel Male Run Tee (BSPT Thread) is designed to connect 2 pipes or tubes of equal connection size and an additional swivel BSPT run connection. Quick & Easy to install, the John Guest Air & Pneumatics range ensures air tight pipe connections are made. Available in sizes 3mm to 28mm, our robust range of fittings and pipes are ideal for small, to mid-sized applications such as garages and a variety of other commercial air piping applications.

John guest fittings are rapidly installed using push to fit technology, eliminating the need for tools or sealing products. Our unique collet locking design firmly and securely holds the pipe in place with deforming the pipe or restricting flow. John guest air fittings are fully de-mountable, reducing production downtime for maintenance.

The fittings are available in tough engineered plastic or brass, including a unique water trap that removes moisture from the airline to improve system performance and longevity. Designed to work with our nylon, powder coated aluminium pipe or LLDPE tubing, our versatile solution is also compatible with copper, PEXa and other soft metal pipes.



Features & Benefits

- Strong acetal copolymer fitting with nitrile O-Ring
- Airtight connection with superior flow characteristics
- Instant push-fit connection and demountable without tools
- Secure collet cover prevents accidental disconnection
- Suitable for air and pneumatics piping systems up to 10 bar
- Ideal for air, inert gases and vacuum applications
- Food grade fitting suitable for potable liquids
- Compatible with soft metal or plastic pipe/tubing

Product code	Description	Size	Bag QTY
PI110801S	Swivel Male Run Tee (BSPT Thread)	1/4" x 1/4" x 1/8"	10
PI110802S	Swivel Male Run Tee (BSPT Thread)	1/4" x 1/4" x 1/4"	10
PM110801S	Swivel Male Run Tee (BSPT Thread)	5/16" x 5/16" x 1/8"	10
PM110802S	Swivel Male Run Tee (BSPT Thread)	5/16" x 5/16" x 1/4"	10
PM110803S	Swivel Male Run Tee (BSPT Thread)	5/16" x 5/16" x 3/8"	10
PI111202S	Swivel Male Run Tee (BSPT Thread)	3/8" x 3/8" x 1/4"	10
PI111203S	Swivel Male Run Tee (BSPT Thread)	3/8" x 3/8" x 3/8"	10
PI111603S	Swivel Male Run Tee (BSPT Thread)	1/2" x 1/2" x 3/8"	10
PI111604S	Swivel Male Run Tee (BSPT Thread)	1/2" x 1/2" x 1/2"	10



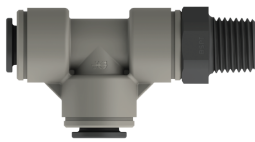
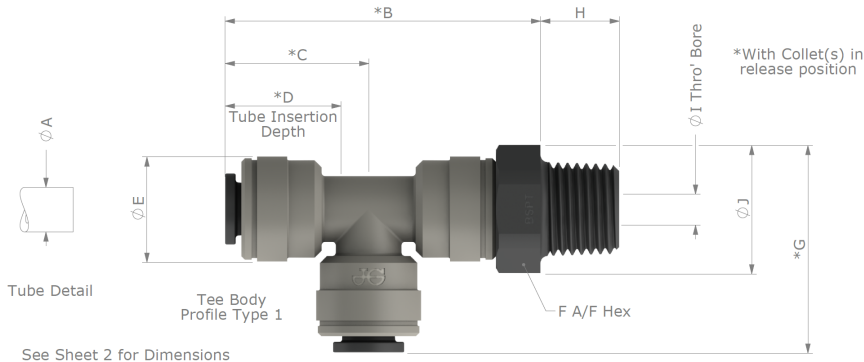
Swivel Male Run Tee (BSPT Thread)

Working parameters & specifications

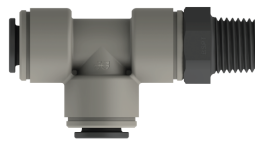
Application	Maximum working pressure, bar
Air	16 Bar

Materials	
Body	Plastic
O-Ring	Nitrile, Black
Collet	Acetal Copolymer (Unfilled)
Collet Teeth	Stainless Steel 301

Dimensions – All measurements in mm unless otherwise stated



Tee Body Profile Type 2



Tee Body Profile Type 3

Dimensions in Inches & [mm]

Product Number	Size	A Tube O/D	B	C	D	E	F	G	H	I	J	Tee Body Profile Type
PM110421S	5/32" x 1/8 NPTF	0.156 +0.001 / -0.003 [3.97 +0.03 / -0.07]	1.57	0.69	0.56	0.40	9/16"	1.00	0.37	0.10	0.61	3
PM110422S	5/32" x 1/4 NPTF		[40.0]	[17.6]	[14.3]	[10.2]	9/16"	[25.3]	[9.5]	[2.5]	[15.4]	
PI110621S	3/16" x 1/8 NPTF	0.188 +0.001 / -0.003 [4.78 +0.03 / -0.07]	1.57	0.69	0.56	0.40	11/16"	1.07	0.37	0.12	0.75	3
PI110821S	1/4" x 1/8 NPTF	0.250 +0.001 / -0.004 [6.35 +0.03 / -0.10]	1.74	0.77	0.62	0.47	11/16"	1.15	0.37	0.18	0.75	1
PI110822S	1/4" x 1/4 NPTF		[44.1]	[19.6]	[15.7]	[11.9]	11/16"	[29.1]	[9.5]	[4.4]	[19.0]	
PM110821S	5/16" x 1/8 NPTF	0.313 +0.001 / -0.004 [7.94 +0.03 / -0.10]	1.85	0.83	0.66	0.50	11/16"	1.20	0.37	0.22	0.75	2
PM110822S	5/16" x 1/4 NPTF		[46.9]	[21.0]	[16.7]	[12.7]	11/16"	[30.5]	[9.5]	[5.6]	[19.0]	
PM110823S	5/16" x 3/8 NPTF		1.85	0.83	0.66	0.50	13/16"	1.27	0.56	0.22	0.89	2
PI111222S	3/8" x 1/4 NPTF	0.375 +0.001 / -0.004 [9.53 +0.03 / -0.10]	2.19	1.00	0.78	0.60	13/16"	1.44	0.56	0.26	0.89	1
PI111223S	3/8" x 3/8 NPTF		[55.6]	[25.4]	[19.7]	[15.3]	13/16"	[36.7]	[14.3]	[6.5]	[22.6]	
PI111623S	1/2" x 3/8 NPTF	0.500 +0.001 / -0.004 [12.7 +0.03 / -0.10]	2.72	1.20	0.91	0.69	1"	1.76	0.56	0.38	1.11	1
PI111624S	1/2" x 1/2 NPTF		[69.1]	[30.5]	[23.0]	[17.5]	1"	[44.6]	[14.3]	[9.6]	[28.3]	
			2.72	1.20	0.91	0.69		1.75	0.63	0.38	1.10	1
			[69.1]	[30.5]	[23.0]	[17.5]		[44.5]	[16.0]	[9.6]	[28.0]	