

Swivel Tee (Centre Leg BSP Thread)

Push-fit fitting for connecting 2 pipe of equal connection size and a further swivel type branch connection.

Overview

John Guest tee (centre leg BSP thread) push-fit fitting connects two pipes of equal connection size and an additional swivel BSP connection on the branch. Fast and simple to install, John Guest Air and Pneumatics creates an instant connection and airtight seal without the need for tools, hot works or sealing agents. Air piping systems can be set up and installed 50% quicker than traditional methods.

The unique collet locking design firmly and securely holds the pipe in place without deforming the pipe or restricting flow. Fittings are also fully demountable, reducing system downtime during maintenance and making it quick and easy to modify or extend systems.

Designed in tough engineered plastic, fittings are compatible with John Guest nylon, powder coated aluminium or LLDPE tubing, as well as copper, PEXa and other soft metal pipe materials. All John Guest fittings are manufactured and assembled in the UK



Features & Benefits

- Strong acetal copolymer fitting with nitrile O-Ring
- Airtight connection with superior flow characteristics
- Instant push-fit connection and demountable without tools
- Secure collet cover prevents accidental disconnection
- Suitable for air and pneumatics piping systems up to 10 bar
- Ideal for air, inert gases and vacuum applications
- Food grade fitting suitable for potable liquids
- Compatible with soft metal or plastic pipe/tubing

Product code	Description	Size	Bag QTY
PM10041E	Swivel Tee (Centre Leg BSP Thread)	4mm x 4mm x 1/8"	10
PM10051E	Swivel Tee (Centre Leg BSP Thread)	5mm x 5mm x 1/4"	10
PM10061E	Swivel Tee (Centre Leg BSP Thread)	6mm x 6mm x 1/8"	10
PM10061E	Swivel Tee (Centre Leg BSP Thread)	6mm x 6mm x 1/4"	10
PM10081E	Swivel Tee (Centre Leg BSP Thread)	8mm x 8mm x 1/8"	10
PM10081E	Swivel Tee (Centre Leg BSP Thread)	8mm x 8mm x 1/4"	10
PM10081E	Swivel Tee (Centre Leg BSP Thread)	8mm x 8mm x 3/8"	10
PM10101E	Swivel Tee (Centre Leg BSP Thread)	10mm x 10mm x 1/4"	10
PM10101E	Swivel Tee (Centre Leg BSP Thread)	10mm x 10mm x 3/8"	10
PM10101E	Swivel Tee (Centre Leg BSP Thread)	10mm x 10mm x 1/2"	10
PM10121E	Swivel Tee (Centre Leg BSP Thread)	12mm x 12mm x 3/8"	10
PM10121E	Swivel Tee (Centre Leg BSP Thread)	12mm x 12mm x 1/2"	10



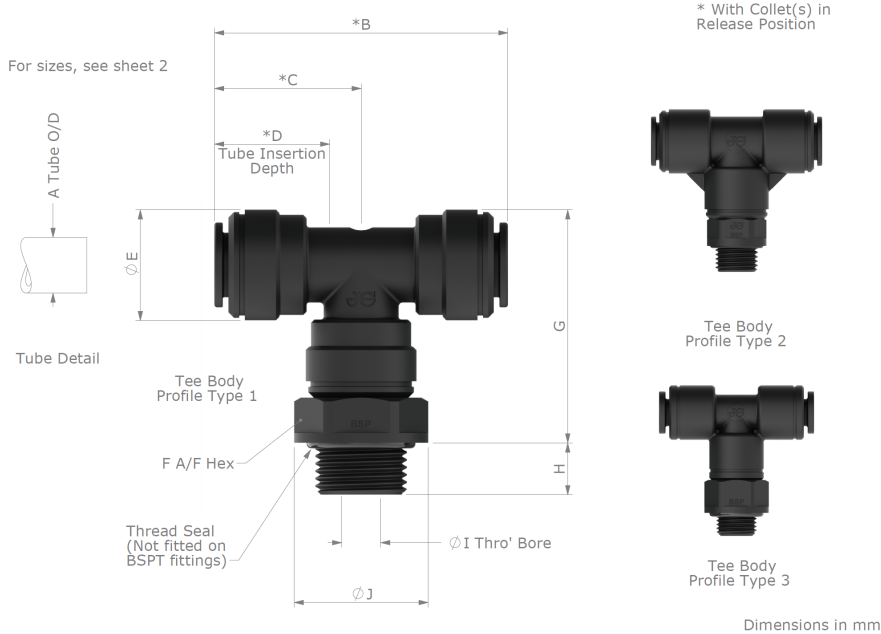
Swivel Tee (Centre Leg BSP Thread)

Working parameters & specifications

Application	Maximum working pressure, bar
Air	16 Bar

Materials	
Body	Plastic
O-Ring	Nitrile, Black
Collet	Acetal Copolymer (Unfilled), Black
Collet Teeth	Stainless Steel 301

Dimensions – All measurements in mm unless otherwise stated



Product No.	Description	A - Tube O/D	B	C	D	E	F	G	H	I	J	Tee Body Profile Type
PM100411E	4mm x 1/8 BSP	4mm	35.2	17.6	14.3	13.0	14.0	31.9	5.5	2.5	15.4	3
PM100412E	4mm x 1/4 BSP	4mm										
PM100511E	5mm x 1/8 BSP	5mm	35.2	17.6	14.3	13.0	14.0	31.9	5.5	3.4	15.4	3
PM100512E	5mm x 1/4 BSP	5mm										
PM100611E	6mm x 1/8 BSP	6mm	39.3	19.6	15.7	15.0	15.0	35.0	5.5	4.1	15.8	1
PM100612E	6mm x 1/4 BSP	6mm										
PM100811E	8mm x 1/8 BSP	8mm	42.0	21.0	16.7	17.8	17.0	37.8	5.5	4.1	17.8	2
PM100812E	8mm x 1/4 BSP	8mm										
PM100813E	8mm x 3/8 BSP	8mm	42.0				22.0	38.0	9.3	5.6	24.1	2
PM101012E	10mm x 1/4 BSP	10mm	50.7	25.4	19.7	19.9	20.0	43.7	8.0	7.1	21.8	1
PM101013E	10mm x 3/8 BSP	10mm										
PM101014E	10mm x 1/2 BSP	10mm	50.7				27.0	43.7	12.5	7.1	29.8	1
PM101213E	12mm x 3/8 BSP	12mm	65.0	32.5	25.9	23.0	24.0	52.1	9.3	8.6	26.4	1
PM101214E	12mm x 1/2 BSP	12mm										