

# Swivel Tee (Centre Leg BSPT Thread)

**Push-fit fitting for connecting 2 pipe of equal connection size and a further swivel type branch connection.**

## Overview

John Guest tee (centre leg BSPT thread) push-fit fitting connects two pipes/tubes of equal connection size and an additional swivel BSPT connection on the branch. Fast and simple to install, John Guest Air and Pneumatics creates an instant connection and airtight seal without the need for tools, hot works or sealing agents. Air piping systems can be set up and installed 50% quicker than traditional methods.

The unique collet locking design firmly and securely holds the pipe in place without deforming the pipe or restricting flow. Fittings are also fully demountable, reducing system downtime during maintenance and making it quick and easy to modify or extend systems.

Designed in tough engineered plastic, fittings are compatible with John Guest nylon, powder coated aluminum or LLDPE tubing, as well as copper, PEXa and other soft metal pipe materials. All John Guest fittings are manufactured and assembled in the UK



## Features & Benefits

- Strong acetal copolymer fitting with nitrile O-Ring
- Airtight connection with superior flow characteristics
- Instant push-fit connection and demountable without tools
- Secure collet cover prevents accidental disconnection
- Suitable for air and pneumatics piping systems up to 10 bar
- Ideal for air, inert gases and vacuum applications
- Food grade fitting suitable for potable liquids
- Compatible with soft metal or plastic pipe/tubing

Product code	Description	Size	Bag QTY
PM100401E	Swivel Tee (Centre Leg BSPT Thread)	4mm x 4mm x 1/8"	10
PM100502E	Swivel Tee (Centre Leg BSPT Thread)	5mm x 5mm x 1/4"	10
PM100601E	Swivel Tee (Centre Leg BSPT Thread)	6mm x 6mm x 1/8"	10
PM100602E	Swivel Tee (Centre Leg BSPT Thread)	6mm x 6mm x 1/4"	10
PM100801E	Swivel Tee (Centre Leg BSPT Thread)	8mm x 8mm x 1/8"	10
PM100802E	Swivel Tee (Centre Leg BSPT Thread)	8mm x 8mm x 1/4"	10
PM100803E	Swivel Tee (Centre Leg BSPT Thread)	8mm x 8mm x 3/8"	10
PM101002E	Swivel Tee (Centre Leg BSPT Thread)	10mm x 10mm x 1/4"	10
PM101003E	Swivel Tee (Centre Leg BSPT Thread)	10mm x 10mm x 3/8"	10
PM101004E	Swivel Tee (Centre Leg BSPT Thread)	10mm x 10mm x 1/2"	10
PM101204E	Swivel Tee (Centre Leg BSPT Thread)	12mm x 12mm x 1/2"	10



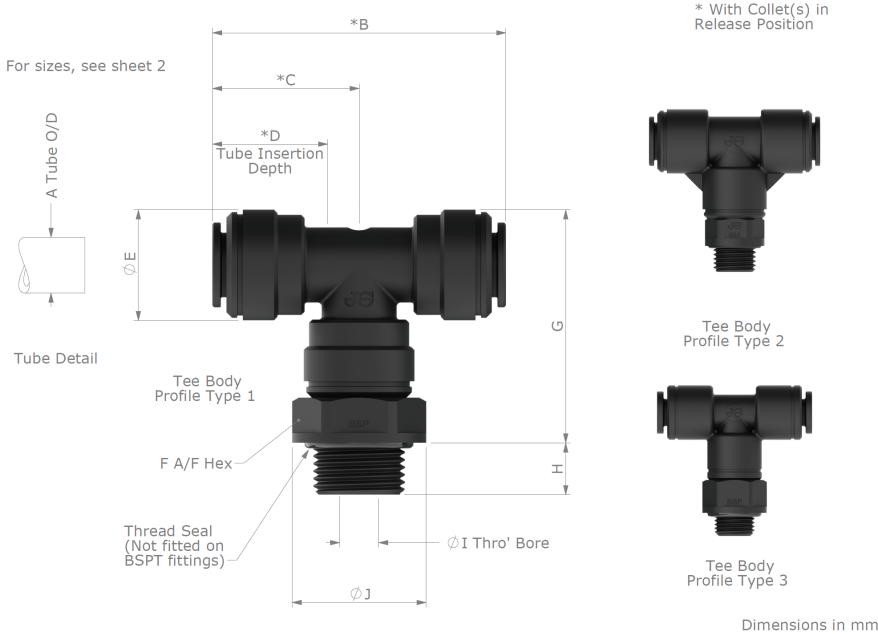
# Swivel Tee (Centre Leg BSPT Thread)

## Working parameters & specifications

Application	Maximum working pressure, bar
Air	16 Bar

Materials	
Body	Plastic
O-Ring	Nitrile, Black
Collet	Acetal Copolymer (Unfilled), Black
Collet Teeth	Stainless Steel 301

## Dimensions – All measurements in mm unless otherwise stated



Product No.	Description	A - Tube O/D	B	C	D	E	F	G	H	I	J	Tee Body Profile Type	
PM100401E	4mm x 1/8 BSPT	4mm	+0.05/-0.07	35.2	17.6	14.3	13.0	15.0	30.4	10.2	2.5	16.7	3
PM100402E	4mm x 1/4 BSPT	4mm		35.2				17.0	30.4	11.2	2.5	18.3	3
PM100501E	5mm x 1/8 BSPT	5mm		35.2	17.6	14.3	13.0	15.0	30.4	10.2	3.4	16.7	3
PM100502E	5mm x 1/4 BSPT	5mm		35.2				17.0	30.4	11.2	3.4	18.3	3
PM100601E	6mm x 1/8 BSPT	6mm	+0.05/-0.10	39.3	19.6	15.7	15.0	17.0	33.5	10.2	4.1	18.3	1
PM100602E	6mm x 1/4 BSPT	6mm		39.3				17.0	33.5	11.2	4.1	18.3	1
PM100801E	8mm x 1/8 BSPT	8mm		42.0	21.0	16.7	17.8	17.0	36.3	10.2	4.1	18.3	2
PM100802E	8mm x 1/4 BSPT	8mm		42.0				17.0	36.3	11.2	5.6	18.3	2
PM100803E	8mm x 3/8 BSPT	8mm		42.0				20.0	36.3	12.7	4.6	21.8	2
PM101002E	10mm x 1/4 BSPT	10mm		50.7	25.4	19.7	19.9	20.0	41.7	11.2	7.1	21.8	1
PM101003E	10mm x 3/8 BSPT	10mm		50.7				20.0	41.7	12.7	7.1	21.8	1
PM101004E	10mm x 1/2 BSPT	10mm		50.7				22.0	41.7	16.0	7.1	24.1	1
PM101203E	12mm x 3/8 BSPT	12mm		65.0				32.5	25.9	23.0	24.0	51.7	12.7
PM101204E	12mm x 1/2 BSPT	12mm		65.0	24.0	50.4	16.0				8.6	26.3	1