

Tube To Hose Elbow (Imperial)

Converts a John Guest pushfit connection, to a barbed hose connection.

Overview

John Guest tube to tube hose elbow push-fit fitting converts a John Guest push-fit connection to a barbed hose connection. Fast and simple to install, John Guest Air and Pneumatics creates an instant connection and airtight seal without the need for tools, hot works or sealing agents. Air piping systems can be set up and installed 50% quicker than traditional methods.

The unique collet locking design firmly and securely holds the pipe in place without deforming the pipe or restricting flow. Fittings are also fully demountable, reducing system downtime during maintenance and making it quick and easy to modify or extend systems.

Designed in tough engineered plastic, fittings are compatible with John Guest nylon, powder coated aluminium or LLDPE tubing, as well as copper, PEXa and other soft metal pipe materials. All John Guest fittings are manufactured and assembled in the UK



Features & Benefits

- Strong acetal copolymer fitting with nitrile O-Ring
- Airtight connection with superior flow characteristics
- Instant push-fit connection and demountable without tools
- Secure collet cover prevents accidental disconnection
- Suitable for air and pneumatics piping systems up to 10 bar
- Ideal for air, inert gases and vacuum applications
- Food grade fitting suitable for potable liquids
- Compatible with soft metal or plastic pipe/tubing

Product code	Description	Size	Bag QTY
PI290808S	Tube To Hose Elbow	1/4" x 1/4"	10
PI290810S	Tube To Hose Elbow	1/4" x 5/16"	10
PI291008S	Tube To Hose Elbow	5/16" x 1/4"	10
PM290808S	Tube To Hose Elbow	5/16" x 5/16"	10
PI291208S	Tube To Hose Elbow	3/8" x 1/4"	10
PI291210S	Tube To Hose Elbow	3/8" x 5/16"	10



Tube To Hose Elbow (Imperial)

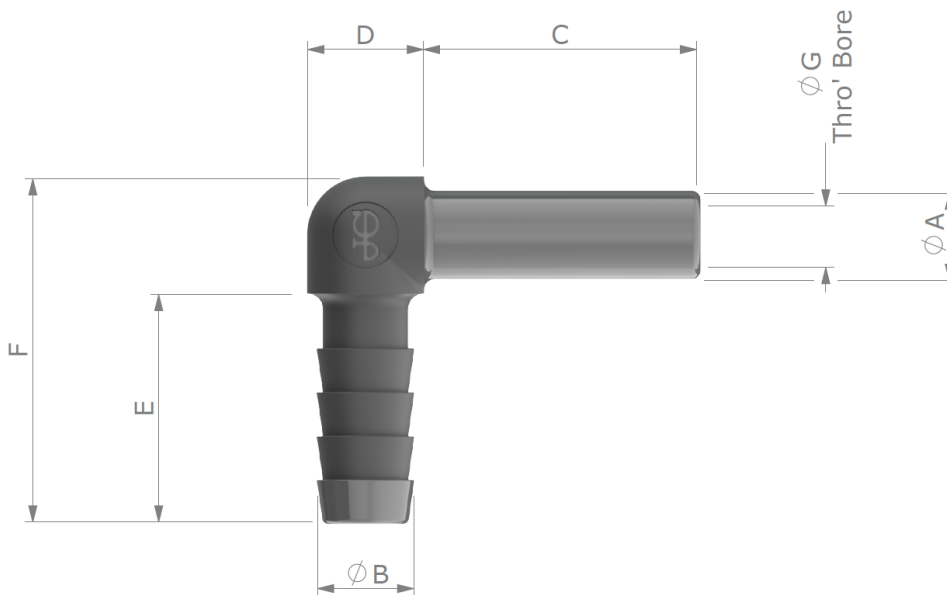
Working parameters & specifications

Application	Maximum working pressure, bar
Air	16 Bar

Materials

Body Acetal Copolymer (Unfilled),

Dimensions – All measurements in mm unless otherwise stated



Product No.	Stem O/D - Hose I/D	A	B	C	D	E	F	G
PI290808S	1/4" - 1/4"	1/4" [6.3]	0.270 [6.9]	0.94 [24.0]	0.34 [8.6]	0.82 [20.8]	1.16 [29.4]	0.14 [3.5]
PI290810S	1/4" - 5/16"	1/4" [6.3]	0.346 [8.8]	0.94 [24.0]	0.42 [10.6]	0.82 [20.8]	1.24 [31.4]	0.18 [4.5]
PI291008S	5/16" - 1/4"	5/16" [7.94]	0.270 [6.9]	0.98 [25.0]	0.34 [8.6]	0.82 [20.8]	1.16 [29.4]	0.14 [3.5]
PM290808S	5/16" - 5/16"	5/16" [7.94]	0.346 [8.8]	0.98 [25.0]	0.42 [10.6]	0.82 [20.8]	1.24 [31.4]	0.22 [5.5]
PI291208S	3/8" - 1/4"	3/8" [9.53]	0.270 [6.9]	1.10 [28.0]	0.34 [8.6]	0.82 [20.8]	1.16 [29.4]	0.14 [3.5]
PI291210S	3/8" - 5/16"	3/8" [9.53]	0.346 [8.8]	1.10 [28.0]	0.42 [10.6]	0.82 [20.8]	1.24 [31.4]	0.22 [5.5]

Dimensions in Inches & [mm]