

Tube To Hose Stem

Converts a john guest pushfit connection, to a barbed hose connection.

Overview

The John Guest Tube to Hose Stem Connector is convert a john guest pushfit connection, to a barbed hose connection. Quick & Easy to install, the John Guest Air & Pneumatics range ensures air tight pipe connections are made. Available in sizes 3mm to 28mm, our robust range of fittings and pipes are ideal for small, to mid-sized applications such as garages and a variety of other commercial air piping applications.

John guest fittings are rapidly installed using push to fit technology, eliminating the need for tools or sealing products. Our unique collet locking design firmly and securely holds the pipe in place with deforming the pipe or restricting flow. John guest air fittings are fully de-mountable, reducing production downtime for maintenance.

The fittings are available in tough engineered plastic or brass, including a unique water trap that removes moisture from the airline to improve system performance and longevity. Designed to work with our nylon, powder coated aluminium pipe or LLDPE tubing, our versatile solution is also compatible with copper, PEXa and other soft metal pipes.



Features & Benefits

- Push-fit technology
- Quick disconnection without the need for tools
- Food Quality and suitable for potable liquids
- Suitable for soft metal or plastic tubes
- Suitable for air or inert gases
- Superior flow characteristics

Product code	Description	Size	Bag QTY
PI250806S	Tube To Hose Stem	1/4" x 3/16"	10
PI250808S	Tube To Hose Stem	1/4" x 1/4"	10
PI250810S	Tube To Hose Stem	1/4" x 5/16"	10
PI251006S	Tube To Hose Stem	5/16" x 3/16"	10
PI251008S	Tube To Hose Stem	5/16" x 3/8"	10
PM250808S	Tube To Hose Stem	5/16" x 5/16"	10
PI251012S	Tube To Hose Stem	5/16" x 3/8"	10
PI251208S	Tube To Hose Stem	3/8" x 1/4"	10
PI251210S	Tube To Hose Stem	3/8" x 5/16"	10
PI251212S	Tube To Hose Stem	3/8" x 3/8"	10
PI251216S	Tube To Hose Stem	3/8" x 1/2"	10
PI251612S	Tube To Hose Stem	1/2" x 3/8"	10
PI251616S	Tube To Hose Stem	1/2" x 1/2"	10



Tube To Hose Stem

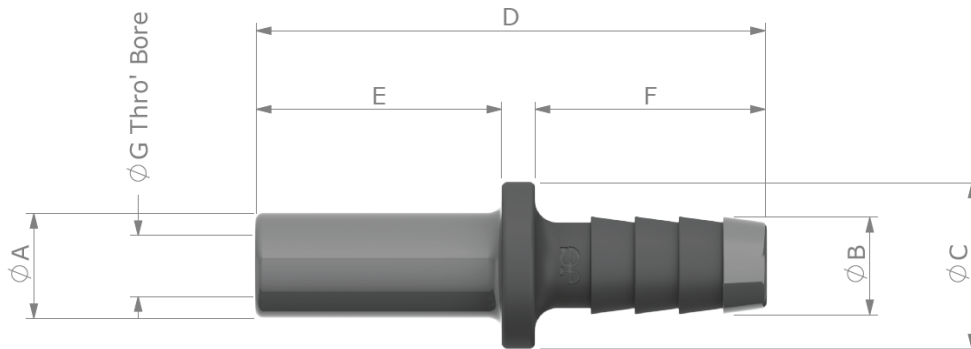
Working parameters & specifications

Application	Maximum working pressure, bar
Air	16 Bar

Materials

Body Acetal Copolymer (Unfilled),

Dimensions – All measurements in mm unless otherwise stated



Product Number	Stem O/D to Hose I/D	A	B	C	D	E	F	G
PI250806S	1/4" - 3/16"	1/4" [6.3]	0.207 [5.3]	0.51 [13.0]	1.65 [41.8]	0.71 [18.0]	0.82 [20.8]	0.08 [2.0]
PI250808S	1/4" - 1/4"	1/4" [6.3]	0.270 [6.9]	0.51 [13.0]	1.65 [41.8]	0.71 [18.0]	0.82 [20.8]	0.14 [3.5]
PI250810S	1/4" - 5/16"	1/4" [6.3]	0.346 [8.8]	0.59 [15.0]	1.65 [41.8]	0.71 [18.0]	0.82 [20.8]	0.18 [4.5]
PI251006S	5/16" - 3/16"	5/16" [8.0]	0.207 [5.3]	0.51 [13.0]	1.69 [42.9]	0.75 [19.1]	0.82 [20.8]	0.08 [2.0]
PI251008S	5/16" - 1/4"	5/16" [8.0]	0.270 [6.9]	0.51 [13.0]	1.69 [42.9]	0.75 [19.1]	0.82 [20.8]	0.14 [3.5]
PM250808S	5/16" - 5/16"	5/16" [8.0]	0.346 [8.8]	0.59 [15.0]	1.69 [42.9]	0.75 [19.1]	0.82 [20.8]	0.22 [5.5]
PI251012S	5/16" - 3/8"	5/16" [8.0]	0.393 [10.0]	0.71 [18.0]	1.85 [46.9]	0.75 [19.1]	0.98 [24.8]	0.22 [5.6]
PI251208S	3/8" - 1/4"	3/8" [9.5]	0.270 [6.9]	0.51 [13.0]	1.81 [46.0]	0.87 [22.2]	0.82 [20.8]	0.14 [3.5]
PI251210S	3/8" - 5/16"	3/8" [9.5]	0.346 [8.8]	0.59 [15.0]	1.81 [46.0]	0.87 [22.2]	0.82 [20.8]	0.22 [5.5]
PI251212S	3/8" - 3/8"	3/8" [9.5]	0.394 [10.0]	0.71 [18.0]	1.96 [49.7]	0.87 [22.2]	0.96 [24.5]	0.26 [6.5]
PI251216S	3/8" - 1/2"	3/8" [9.5]	0.522 [13.3]	0.71 [18.0]	1.97 [50.0]	0.87 [22.2]	0.98 [24.8]	0.26 [6.5]
PI251612S	1/2" - 3/8"	1/2" [12.7]	0.393 [10.0]	0.71 [18.0]	2.10 [53.4]	1.01 [25.6]	0.98 [24.8]	0.26 [6.6]
PI251616S	1/2" - 1/2"	1/2" [12.7]	0.522 [13.3]	0.71 [18.0]	2.10 [53.4]	1.01 [25.6]	0.98 [24.8]	0.39 [9.9]

Dimensions in Inches & [mm]