

Black Bodied Single O-Ring Seal Connector

Safely and securely connects microduct pipe

Overview

The JG Blown Fibre Black Bodied Single O-Ring Seal Connector is designed for simple installation and seamless performance under the toughest of conditions. Its black colouring gives added UV protection for the microduct pipe. Featuring a collet with stainless steel teeth, the fitting is designed to provide a secure connection with a simple push-fit action.

This technology eliminates the need for any tools, making the installation process efficiently straightforward. In the event of repair or network expansion works, the JG Blown Fibre Black Bodied Single O-Ring Seal Connector provides superior installation flexibility, as the demountable feature of the solution allows for the system to be reconfigured at any given time without damage to the microduct or fitting.

Features and benefits

- Black surface gives extra UV protection
- Hard wearing construction for installation into the toughest of conditions
- Push-fit technology ensures swift tool-free installation
- Collet with stainless steel teeth securely locks microduct in place
- O-Ring Seals enhance connection integrity



Product code	Description	Size
LMO403E	Black bodied Single O-Ring Seal Connector	3 x 3mm
NC2570	Black bodied Single O-Ring Seal Connector	4 x 3mm
PMO408E	Black bodied Single O-Ring Seal Connector	8 x 8mm
PMO410E	Black bodied Single O-Ring Seal Connector	10 x 10mm
PMO412E	Black bodied Single O-Ring Seal Connector	12 X 12mm
PMO418E	Black bodied Single O-Ring Seal Connector	18 x 18mm

Black Bodied Single O-Ring Seal Connector

Working pressures & temperatures

Blowing pressure (max)	16 bar
Temperature range	-25°C to 60 °C

Applications

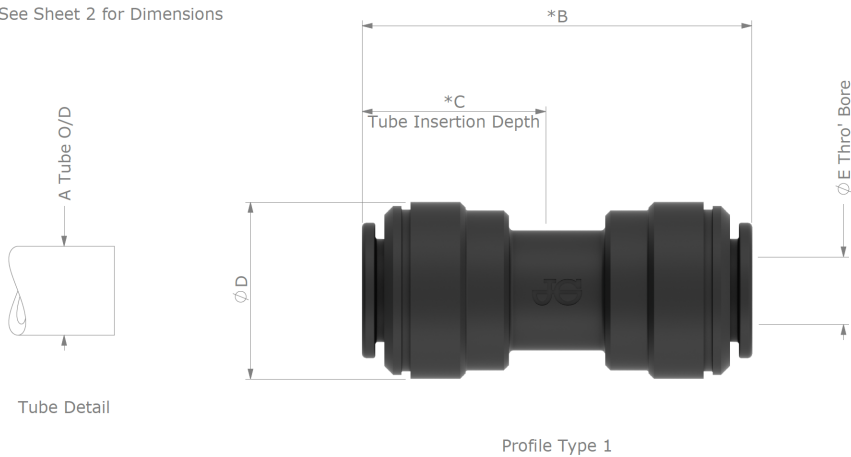
Direct buried fibre optic microducts	✓
--------------------------------------	---

Materials

Body	Acetal Copolymer (Unfilled)
Collets & Cartridges	Acetal Copolymer (Unfilled) Stainless Steel
O-Ring	Nitrile, Black

Dimensions

See Sheet 2 for Dimensions



Product No.	Size	A Tube O/D	B	C	D	E	Profile Type
PM0404E	4mm	4.00+0.05 / -0.07	32.6	14.3	13.0	2.5	2
PM0405E	5mm	5.00+0.05 / -0.07	32.6	14.3	13.0	3.4	2
PM0406E	6mm	6.00+0.05 / -0.10	35.0	15.7	15.0	4.8	1
PM0408E	8mm	8.00+0.05 / -0.10	38.0	16.7	17.8	6.3	2
PM0410E	10mm	10.00+0.05 / -0.10	41.9	19.7	19.9	7.6	1
PM0412E	12mm	12.00+0.05 / -0.10	53.8	25.9	23.0	8.6	1
PM0415E	15mm	15.00+0.05 / -0.10	58.0	27.7	27.0	12.0	1
PM0418E	18mm	18.00+0.05 / -0.10	64.1	31.0	31.1	16.0	1
PM0422E	22mm	22.00+0.05 / -0.10	70.6	34.3	35.5	19.2	1