

End Stop Superseal

Safe and securely caps microduct termination points

Overview

The JG Blown Fibre End Stop Superseal is designed for simple installation and seamless performance under the toughest of conditions. Used to cap termination points of pipework. Its a durable easy to use solution in a slimline fitting. Featuring a collet with stainless steel teeth, the fitting is designed to provide a secure connection with a simple push-fit action. This technology eliminates the need for any tools, making the installation process efficiently straightforward.

Features and benefits

- Yellow surface gives extra UV protection
- Hard wearing construction for installation into the toughest of conditions
- Push-fit technology ensures swift tool-free installation
- Collet with stainless steel teeth securely locks microduct in place
- O-Ring Seals enhance connection integrity



Product code	Description	Size
NC711-O2	Endstop Superseal	5mm
NC712-O2	Endstop Superseal	8mm



Blown fibre fittings

End stop Superseal

Working pressures & temperatures

Blowing pressure (max)	16 bar
Temperature range	-25°C to 60 °C

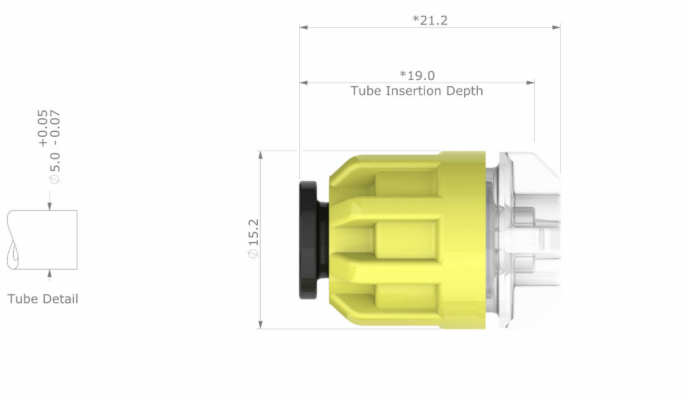
Applications

Direct buried fibre optic microducts	✓
--------------------------------------	---

Materials

Body	Polycarbonate (Unfilled), Clear
Collets & Cartridges	Polypropylene (Unfilled), Black & Stainless Steel
O-Ring	Nitrile, Black
Caps	Polypropylene (Yellow)

Dimensions



Dimensions in mm

