

# Clear Bodied Single O-Ring Seal

**Safely and securely connects microduct pipe**

## Overview

The JG Blown Fibre Clear Bodied Single O-Ring Seal Connector is designed for simple installation and seamless performance under the toughest of conditions. Its slimline design, and transparent body allows for the fitting to be inspected during pipe insertion to ensure the end meets the internal pipe stop. This design also means inspecting for debris during maintenance is easy. Featuring a collet with stainless steel teeth, the fitting is designed to provide a secure connection with a simple push-fit action.

This technology eliminates the need for any tools, making the installation process efficiently straightforward. In the event of repair or network expansion works, the JG Blown Fibre Clear Bodied Single O-Ring Seal Connector provides superior installation flexibility, as the demountable feature of the solution allows for the system to be reconfigured at any given time without damage to the microduct or fitting.

## Features and benefits

- Hard wearing construction for installation into the toughest of conditions
- Coaxial design with floating core
- Transparent body makes it easier to check if the microduct is fully inserted
- Push-fit technology ensures swift tool-free installation
- Collet with stainless steel teeth securely locks microduct in place
- O-Ring Seals enhance connection integrity

Product code	Description	Size
NC2352	Clear Bodied Single O-Ring Seal Connector	10 x 10mm
NC2647	Clear Bodied Single O-Ring Seal Connector	12 x 12mm
NC2458	Clear Bodied Single O-Ring Seal Connector	12 x 12mm



# Clear Bodied Single O-Ring Seal

## Working pressures & temperatures

Blowing pressure (max)	16 bar
Temperature range	-25°C to 60 °C

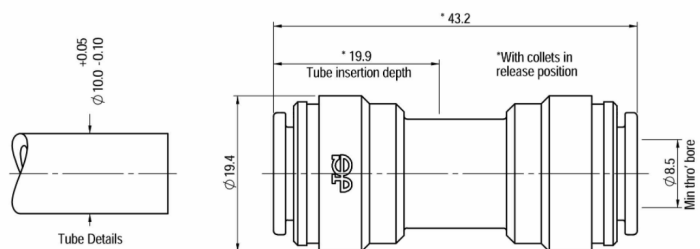
## Applications

Direct buried fibre optic microducts	✓
--------------------------------------	---

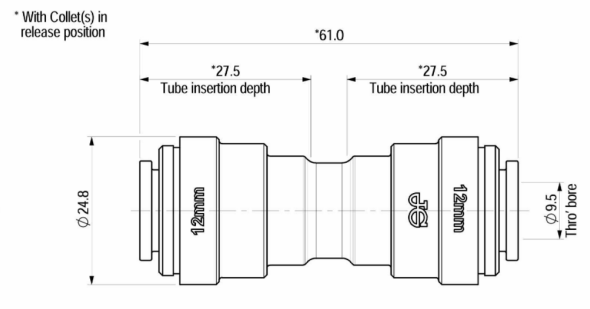
## Materials

Body	Polycarbonate (Unfilled), Clear
Collets & Cartridges	Acetal Copolymer (Unfilled), Stainless Steel
O-Ring	Nitrile, Black

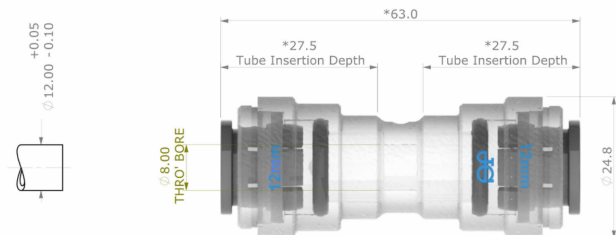
## Dimensions



NC2352



NC2458



Tube Detail

PRODUCT AS SUPPLIED

\* With Collet(s) in Release Position

NC2647