

# Direct Buried Straight Connector

A transparent blown fibre connector for direct buried applications, with unrivalled high impact resistance properties.

## Overview

Designed for simple installation and seamless performance under the toughest of conditions, the JG Blown Fibre Direct Buried Straight Connector helps eliminate fibre/cable snagging and provides 30J impact resistance – unmatched strength packed in a slimline, transparent fitting.

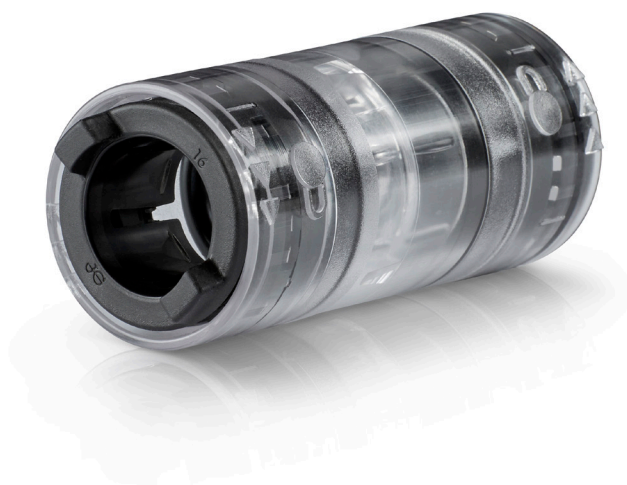
Featuring a collet with stainless steel teeth, the fitting is designed to provide a secure connection with a simple push-fit action. This technology eliminates the need for any tools, making the installation process efficiently straightforward.

In the event of repair or network expansion works, the JG Blown Fibre Direct Buried Straight Connector provides superior installation flexibility, as the demountable feature of the solution allows for the system to be reconfigured at any given time without damage to the microduct or fitting.

With international patents underway, the Direct Buried Connector is an industry first in many ways.

## Features and benefits

- Smooth cylindrical surface minimises neighbouring microduct deformation due to absence of crush load points
- Blended through-bore ensures smooth fibre passage and eliminates snagging
- Coaxial design with floating core allows for 30J impact resistance at -5°C
- Transparent body makes it easier to check fibre passage within the connector
- Tapered splines help round and centralise oval microducts, further eliminating snagging
- Built-in locking collet comes pre-locked, enabling instantly secure pipe connection
- Padlock symbols indicate pipe lock/unlock positions
- Push-fit technology ensures swift tool-free installation
- Collet with stainless steel teeth securely locks microduct in place
- O-Ring Seals enhance connection integrity



Product code	Description	Size
BF0407-04	Direct Buried Straight Connector	7 mm
BF0408-04	Direct Buried Straight Connector	8 mm
BF0410-06	Direct Buried Straight Connector	10 mm
BF0412-08	Direct Buried Straight Connector	12 mm
BF0414-10	Direct Buried Straight Connector	14 mm
BF0416-12	Direct Buried Straight Connector	16 mm
BF0420-16	Direct Buried Straight Connector	20 mm

## International patents applied for

UK patents pending: 1909903.5/1909909.2/1909906.8  
Worldwide design registrations pending



# Direct Buried Straight Connector

## Working pressures & temperatures

Blowing pressure (max)	16 bar
Temperature range	-25°C to 60 °C

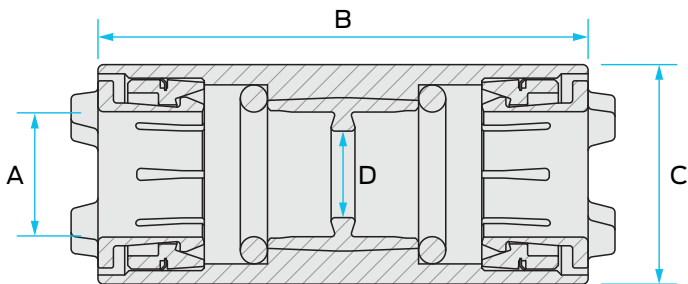
## Applications

Direct buried fibre optic microducts	✓
--------------------------------------	---

## Materials

Body	Polycarbonate (Unfilled), Clear
Collets & Cartridges	Polypropylene (Unfilled), Black & Stainless Steel
O-Ring	Nitrile, Black

## Dimensions

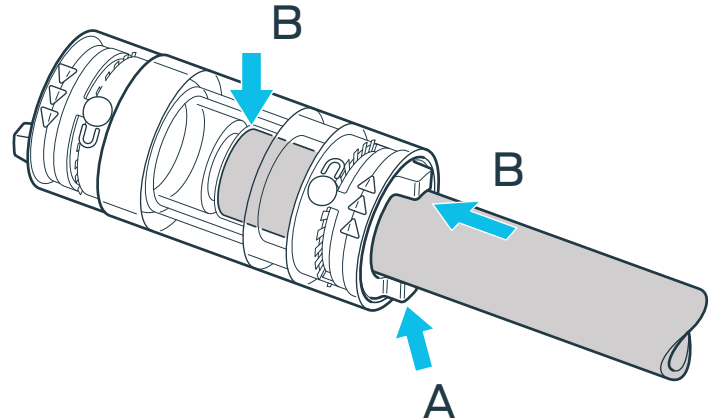


Product	A	B	C	D
BF0407-04	7 mm	41 mm	18 mm	4 mm
BF0408-04	8 mm	41 mm	18 mm	4 mm
BF0410-06	10 mm	41 mm	18 mm	4 mm
BF0412-08	12 mm	53 mm	23 mm	8 mm
BF0414-10	14 mm	59 mm	27 mm	10 mm
BF0416-12	16 mm	63 mm	28 mm	12 mm
BF0420-16	20 mm	77 mm	35 mm	16 mm

## Installation guide

### 1 - Connecting microduct

A - Connectors are supplied in the locked position, ready to use.  
 B - Push the microduct in all the way to the stop wall.



### 2 - Removing microduct

A - Twist the collet anti-clockwise until it clicks and stops.  
 B - Push the collet down into the connector and pull the microduct away.

