

Single O-Ring Seal Connector

Safely and securely connects microduct pipe

Overview

The JG Blown Fibre Single O-Ring Seal Connector is designed for simple installation and seamless performance under the toughest of conditions. Its slimline design, and clear inspection chamber allows for the fitting to be inspected during pipe insertion to ensure the end meets the internal pipe stop. With black connection bodies for added UV protection for the microduct pipe. Featuring a collet with stainless steel teeth, the fitting is designed to provide a secure connection with a simple push-fit action.

This technology eliminates the need for any tools, making the installation process efficiently straightforward. In the event of repair or network expansion works, the JG Blown Fibre Single O-Ring Seal Connector provides superior installation flexibility, as the demountable feature of the solution allows for the system to be reconfigured at any given time without damage to the microduct or fitting.

Features and benefits

- Hard wearing construction for installation into the toughest of conditions
- Coaxial design with floating core
- Transparent body makes it easier to check if the microduct is fully inserted
- Push-fit technology ensures swift tool-free installation
- Collet with stainless steel teeth securely locks microduct in place
- O-Ring Seals enhance connection integrity

Product code	Description	Size
NC2129	Single O-Ring Seal Connector	3 x 3mm
NC2329	Single O-Ring Seal Connector	5 x 3mm
NC2692	Single O-Ring Seal Connector	5 x 5mm



Single O-Ring Seal Connector

Working pressures & temperatures

Blowing pressure (max)	16 bar
Temperature range	-25°C to 60 °C

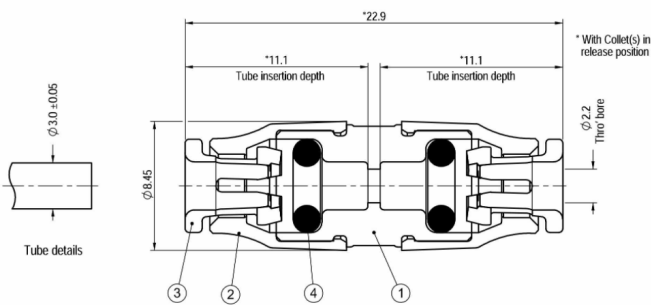
Applications

Direct buried fibre optic microducts	✓
--------------------------------------	---

Materials

Body	Polycarbonate (Unfilled), Clear
Collets & Cartridges	Acetal Copolymer (Unfilled), Stainless Steel
O-Ring	Nitrile, Black

Dimensions



Item No.	Part Description	Material
1	3mm to 3mm Body	Polycarbonate, Clear
2	3mm Caps	Acetal Co-Polymer (Unfilled), Black
3	3mm Collets	Acetal Co-Polymer (Unfilled), Black and Stainless Steel
4	3mm O-Rings	Nitrile, Black

