

White Acetal Branch Stem Tee

Quickly and securely connects 2 equally sized pipe/tubes with an additional stem port used to install a further John Guest push-fit fitting forming a swivel tee type connection

Overview

John Guest white push-fit acetal branch stem tee push-fitting fittings connect pipe/tubing with a stem end for connecting John Guest fittings to create a 90° swivel type connection. Fast and simple to install, John Guest push-fit fittings create an instant push-fit connection and leak tight seal without the need for tools, hot works or sealing agents.

The unique collet locking design firmly and securely holds the pipe in place without deforming the pipe or restricting flow. Fittings are corrosion resistant and fully demountable, improving system performance and reducing system downtime during maintenance.

Manufactured in white push-fit acetal copolymer with EPDM O-Rings, the fitting is suitable for potable water, intermittent hot water applications (up to 65°C max), water treatment and purification applications. All John Guest fittings are manufactured and assembled in the UK.



Features & Benefits

- Rigid and hardwearing acetal copolymer material with EPDM O-Ring
- Suitable for potable water, intermittent hot water applications (up to 65°C max), water treatment and purification applications (not suitable for air, pneumatic or vacuum applications)
- Instant push-fit connection and leak tight seal
- Connect, disconnect and reconnect in seconds without tools
- No scale build up improves performance and equipment lifespan
- Superior flow characteristics
- Compatible with LLDPE or soft metal pipe/tubing

| Product code | Description | Size |
|--------------|-----------------|------|
| CI580808W | Branch Stem Tee | 1/4" |



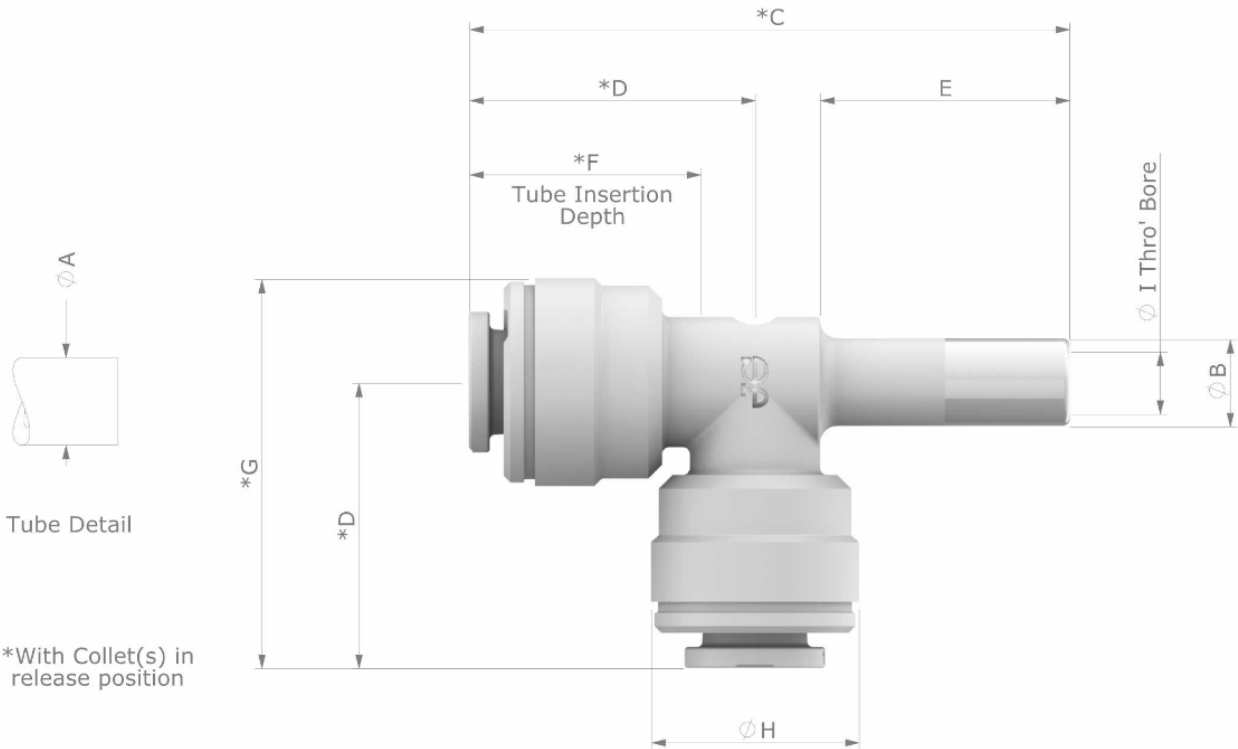
White Acetal Branch Stem Tee

| | | |
|----------------|--|--------------------------------------|
| | Maximum & Minimum Temperature | Maximum working pressure, bar |
| Potable Liquid | 1°C -65°C | 16 Bar (7 Bar @ 65°C) |

| Materials | |
|--------------|-----------------------------------|
| Body | Acetal Copolymer (Unfilled) White |
| O-Ring | EPDM, Black |
| Collet | Acetal Copolymer (Unfilled) |
| Collet Teeth | Stainless Steel 301 |

| Application |
|--|
| Potable Liquid |
| Water Purification |
| Water Treatment |
| Intermittent Hot Water (up to 65C) |
| Not Suitable for Air or Vacuum Applications |

Dimensions – All measurements in mm unless otherwise stated



*With Collet(s) in release position

| Product No. | Size | A Tube O/D | B Stem O/D | C | D | E | F | G | H | I |
|-------------|--------------------|---|----------------|----------------|----------------|----------------|----------------|----------------|----------------|---------------|
| CI530808W | 1/4" x 1/4" x 1/4" | 0.250 +0.001 / -0.004 [6.35 +0.03 / -0.10] | 1/4" [6.35] | 1.67 [42.3] | 0.77 [19.6] | 0.71 [18.0] | 0.62 [15.7] | 1.07 [27.1] | 0.59 [15.0] | 0.16 [4.1] |

Dimensions in Inches & [mm]