

White Acetal Female Connector (NPTF Thread)

Quickly and securely converts a push-fit connection to a NPTF type connection

Overview

John Guest white push-fit acetal female connector (NPTF Thread) fitting connects pipe/tubing to a NPT type fitting. Fast and simple to install, John Guest push-fit fittings create an instant push-fit connection and leak tight seal without the need for tools, hot works or sealing agents.

The unique collet locking design firmly and securely holds the pipe in place without deforming the pipe or restricting flow. Fittings are corrosion resistant and fully demountable, improving system performance and reducing system downtime during maintenance.

Manufactured in white push-fit acetal copolymer with EPDM O-Rings, the fitting is suitable for potable water, intermittent hot water applications (up to 65°C max), water treatment and purification applications (not suitable for air, pneumatic or vacuum applications). All John Guest fittings are manufactured and assembled in the UK.

Features & Benefits

- Rigid and hardwearing acetal copolymer material with EPDM O-Ring
- Suitable for potable water, intermittent hot water applications (up to 65°C max), water treatment and purification applications (not suitable for air, pneumatic or vacuum applications)
- Instant push-fit connection and leak tight seal
- Connect, disconnect and reconnect in seconds without tools
- No scale build up improves performance and equipment lifespan
- Superior flow characteristics
- Compatible with LLDPE or soft metal pipe/tubing



Product code	Description	Size
CI451222W	Female Connector	3/8" x 1/4"



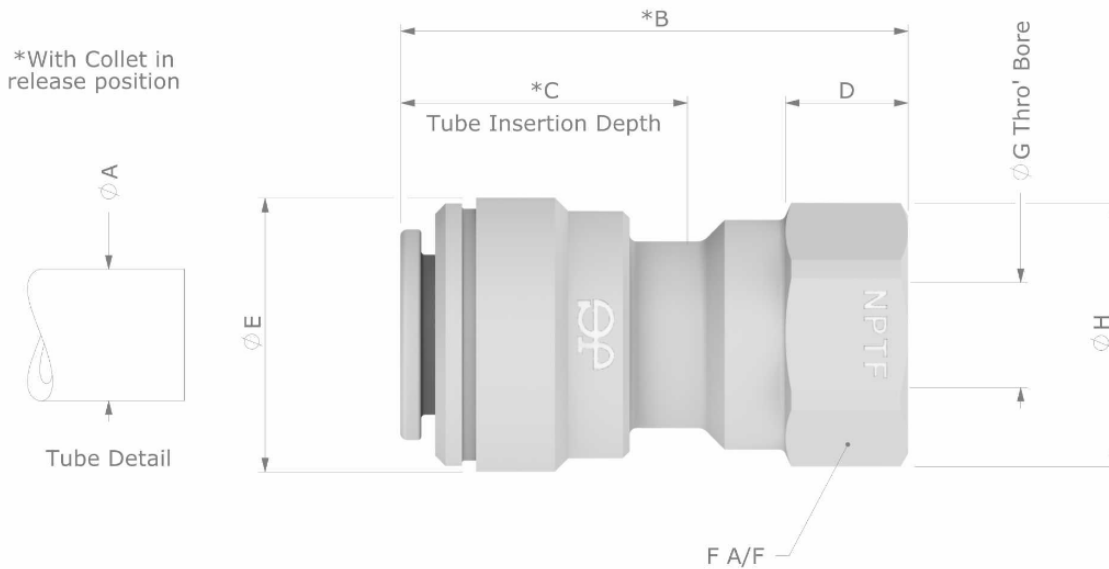
White Acetal Female Connector (NPTF Thread)

	Maximum & Minimum Temperature	Maximum working pressure, bar
Potable Liquid	1°C -65°C	16 Bar (7 Bar @ 65°C)

Materials	
Body	Acetal Copolymer (Unfilled) White
O-Ring	EPDM, Black
Collet	Acetal Copolymer (Unfilled)
Collet Teeth	Stainless Steel 301

Application
Potable Liquid
Water Purification
Water Treatment
Intermittent Hot Water (up to 65C)
Not Suitable for Air or Vacuum Applications

Dimensions – All measurements in mm unless otherwise stated



Product Number	Size	A Tube O/D	B	C	D	E	F	G	H
CI450814FW	1/4" x 1/2 BSP	0.250 +0.001 / -0.004 [6.35 +0.03 / -0.10]	1.57 [39.8]	0.62 [15.7]	0.58 [14.8]	0.78 [19.8]	1.02 OCT [26.0]	0.21 [5.3]	1.07 [27.3]
CI451222W	3/8" x 1/4 NPTF	0.375 +0.001 / -0.004 [9.53 +0.03 / -0.10]	1.40 [35.7]	0.78 [19.7]	0.35 [9.0]	0.78 [19.8]	11/16" HEX [7.6]	0.30 [7.6]	0.75 [19.1]

Dimensions in Inches & [mm]