

# White Acetal Stem Elbow

Quickly and easily connects two John Guest push-fit fittings to create a 90° swivel type connection

## Overview

John Guest white push-fit acetal stem elbow adapts a push-fit connection to a 90° swivel type connection. The fitting is available with blue, red, or white collets for easy supply identification. Fast and simple to install, John Guest push-fit fittings create an instant push-fit connection and leak tight seal without the need for tools, hot works or sealing agents.

The unique collet locking design firmly and securely holds the pipe in place without deforming the pipe or restricting flow. Fittings are corrosion resistant and fully demountable, improving system performance and reducing system downtime during maintenance.

Manufactured in white push-fit acetal copolymer with EPDM O-Rings, the fitting is suitable for potable water, intermittent hot water applications (up to 65°C max), water treatment and purification applications. All John Guest fittings are manufactured and assembled in the UK.



## Features & Benefits

- Rigid and hardwearing acetal copolymer material with EPDM O-Ring
- Suitable for potable water, intermittent hot water applications (up to 65°C max), water treatment and purification applications (not suitable for air, pneumatic or vacuum applications)
- Instant push-fit connection and leak tight seal
- Connect, disconnect and reconnect in seconds without tools
- No scale build up improves performance and equipment lifespan
- Superior flow characteristics
- Compatible with LLDPE or soft metal pipe/tubing

Product code	Description	Size
CI220808W	Stem Elbow	1/4" x 1/4"
CI221208W	Stem Elbow	3/8" x 1/4"
CI221212W	Stem Elbow	3/8" x 3/8"
CI220808WB	Stem Elbow - Blue Collet	1/4" x 1/4"
CI221212WB	Stem Elbow - Blue Collet	3/8" x 3/8"
CI220808WR	Stem Elbow - Red Collet	1/4" x 1/4"
CI221212WR	Stem Elbow - Red Collet	3/8" x 3/8"



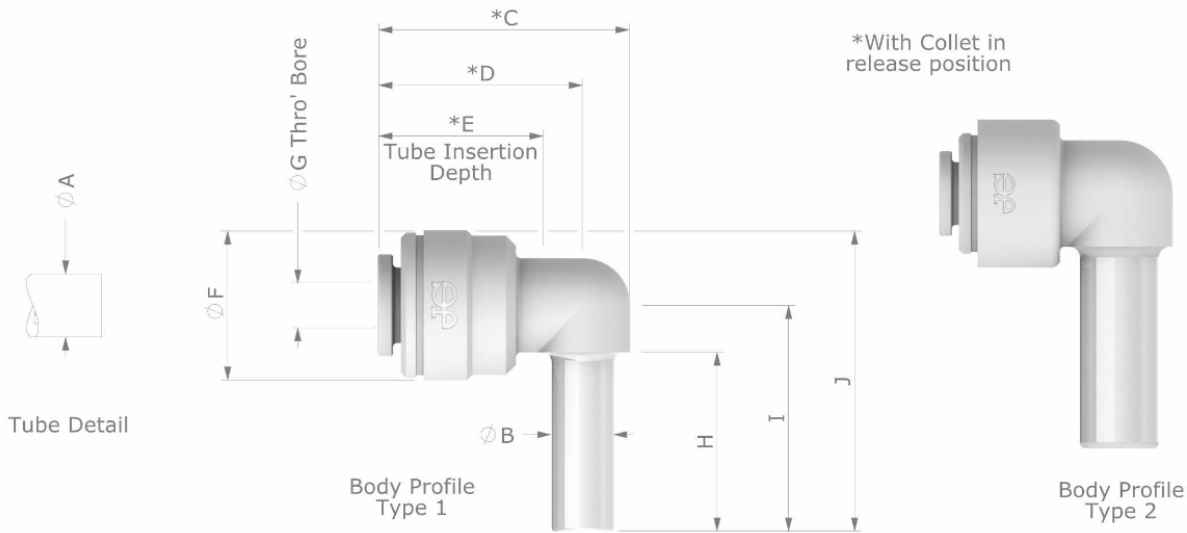
# White Acetal Stem Elbow

	<b>Maximum &amp; Minimum Temperature</b>	<b>Maximum working pressure, bar</b>
Potable Liquid	1°C -65°C	16 Bar (7 Bar @ 65°C)

Materials	
Body	Acetal Copolymer (Unfilled) White
O-Ring	EPDM, Black
Collet	Acetal Copolymer (Unfilled)
Collet Teeth	Stainless Steel 301

Application
Potable Liquid
Water Purification
Water Treatment
Intermittent Hot Water (up to 65C)
<b>INot Suitable for Air or Vacuum Applications</b>

**Dimensions** – All measurements in mm unless otherwise stated



Product Number	Size - Stem O/D - Tube O/D	Collet Colour	A Tube O/D	B Stem O/D	C	D	E	F	G	H	I	J	Profile Type
CI220808W	1/4" - 1/4"	White	0.250 +0.001 / -0.004 [6.35 +0.03 / -0.10]	1/4"	0.96 [24.3]	0.77 [19.6]	0.62 [15.7]	0.59 [15.0]	0.18 [4.5]	0.71 [18.0]	0.89 [22.7]	1.19 [30.2]	1
CI220808WB		Blue											
CI220808WR		Red											
CI221208W	3/8" - 1/4"	White	0.250 +0.001 / -0.004 [6.35 +0.03 / -0.10]	3/8"	1.07 [27.2]	0.82 [20.8]	0.62 [15.7]	0.70 [17.8]	0.21 [5.3]	0.95 [24.2]	1.20 [30.6]	1.56 [39.5]	2
CI221212W	3/8" - 3/8"	White	0.375 +0.001 / -0.004 [9.53 +0.03 / -0.10]	3/8"	1.25 [31.7]	0.98 [25.0]	0.78 [19.7]	0.78 [19.9]	0.24 [6.2]	0.95 [24.2]	1.22 [31.0]	1.61 [41.0]	1
CI221212WB		Blue											
CI221212WR		Red											

Dimensions in Inches & [mm]