

Black Acetal Swivel Elbow (BSPT Thread) Metric

Connects imperial sized pipe or tubing to form a swivel type 90 degree pipe bend

Overview

John Guest swivel elbow (BSPT thread) push-fit fitting connects metric to a BSPT thread connection to form a 90° swivel type connection. Fast and simple to install, John Guest Air and Pneumatics creates an instant connection and airtight seal without the need for tools, hot works or sealing agents. Air piping systems can be set up and installed 50% quicker than traditional methods.

The unique collet locking design firmly and securely holds the pipe in place without deforming the pipe or restricting flow. Fittings are also fully demountable, reducing system downtime during maintenance and making it quick and easy to modify or extend systems.

Designed in tough engineered plastic, fittings are compatible with John Guest nylon, powder coated aluminum or LLDPE tubing, as well as copper, PEXa and other soft metal pipe materials. All John Guest fittings are manufactured and assembled in the UK

Features & Benefits

- Strong acetal copolymer fitting with nitrile O-Ring
- Airtight connection with superior flow characteristics
- Instant push-fit connection and demountable without tools
- Secure collet cover prevents accidental disconnection
- Suitable for air and pneumatics piping systems up to 10 bar
- Ideal for air, inert gases and vacuum applications
- Food grade fitting suitable for potable liquids
- Compatible with soft metal or plastic pipe/tubing



Product code	Description	Size	Bag QTY
PM090401E	Swivel Elbow (BSPT Thread)	4mm X 1/8"	10
PM090402E	Swivel Elbow (BSPT Thread)	4mm X 1/4"	10
PM090501E	Swivel Elbow (BSPT Thread)	5mm X 1/8"	10
PM090502E	Swivel Elbow (BSPT Thread)	5mm X 1/4"	10
PM090601E	Swivel Elbow (BSPT Thread)	6mm X 1/8"	10
PM090602E	Swivel Elbow (BSPT Thread)	6mm X 1/4"	10
PM090801E	Swivel Elbow (BSPT Thread)	8mm X 1/8"	10
PM090802E	Swivel Elbow (BSPT Thread)	8mm X 1/4"	10
PM090803E	Swivel Elbow (BSPT Thread)	8mm X 3/8"	10
PM091002E	Swivel Elbow (BSPT Thread)	10mm X 1/4"	10
PM091003E	Swivel Elbow (BSPT Thread)	10mm X 3/8"	10
PM091004E	Swivel Elbow (BSPT Thread)	10mm X 1/2"	10
PM091203E	Swivel Elbow (BSPT Thread)	12mm X 3/8"	10
PM091204E	Swivel Elbow (BSPT Thread)	12mm X 1/2"	10



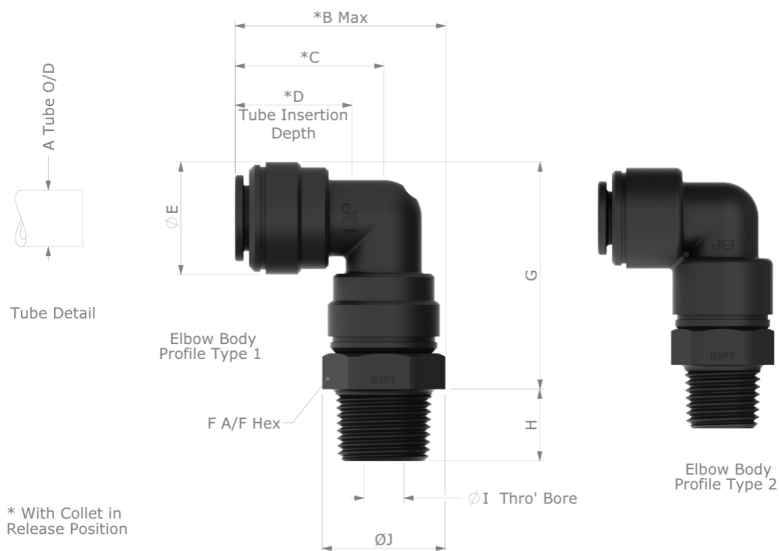
Black Acetal Swivel Elbow (BSPT Thread)

	Maximum & Minimum Temperature	Maximum working pressure, bar
Potable Liquid	1°C -65°C	10 Bar (7 Bar @ 65°C)

Materials	
Body	Acetal Copolymer (Unfilled)
O-Ring	EPDM, Black
Collet	Acetal Copolymer (Unfilled)
Collet Teeth	Stainless Steel 301

Application
Potable Liquid
Water Purification
Water Treatment
Intermittent Hot Water (up to 65C)
Suitable for Inert Gases & Vacuum Applications

Dimensions – All measurements in mm unless otherwise stated



Product No.	Description	A - Tube O/D	B	C	D	E	F	G	H	I	J	Elbow Body Profile Type
PM090401E	4mm x 1/8 BSPT	4mm	25.9	18.0	14.3	13.0	15.0	30.4	10.2	2.5	16.7	2
PM090402E	4mm x 1/4 BSPT	4mm					26.7	17.0	30.4	11.2	2.5	18.3
PM090501E	5mm x 1/8 BSPT	5mm	25.9	18.0	14.3	13.0	15.0	30.4	10.2	3.4	16.7	2
PM090502E	5mm x 1/4 BSPT	5mm					26.7	17.0	30.4	11.2	3.4	18.3
PM090601E	6mm x 1/8 BSPT	6mm	28.8	20.0	15.7	15.0	17.0	33.5	10.2	4.2	18.3	2
PM090602E	6mm x 1/4 BSPT	6mm					28.8	17.0	33.5	11.2	4.2	18.3
PM090801E	8mm x 1/8 BSPT	8mm	30.2	21.0	16.7	17.8	17.0	36.3	10.2	4.2	18.3	2
PM090802E	8mm x 1/4 BSPT	8mm					30.2	17.0	36.3	11.2	5.7	18.3
PM090803E	8mm x 3/8 BSPT	8mm	31.9				20.0	36.3	12.7	4.6	21.8	2
PM091002E	10mm x 1/4 BSPT	10mm	36.3	25.0	19.7	19.8	20.0	41.7	10.2	7.2	21.8	1
PM091003E	10mm x 3/8 BSPT	10mm					36.3	22.0	41.7	12.7	7.1	21.8
PM091004E	10mm x 1/2 BSPT	10mm	37.4				27.0	41.7	16.0	7.2	24.1	1
PM091203E	12mm x 3/8 BSPT	12mm	45.6	32.5	25.9	23.0	24.0	51.7	12.7	8.7	26.3	1
PM091204E	12mm x 1/2 BSPT	12mm					45.6	24.0	50.4	16.0	8.7	26.3