

White Polypropylene Stem Elbow

Quickly and easily connects two John Guest push-fit fittings to create a 90° swivel type connection

Overview

John Guest white polypropylene push-fit stem elbow fitting adapts a push-fit connection to a 90° swivel type connection. Fast and simple to install, John Guest push-fit fittings create an instant push-fit connection and leak tight seal without the need for tools, hot works or sealing agents.

The unique collet locking design firmly and securely holds the pipe in place without deforming the pipe or restricting flow. Fittings are corrosion resistant and fully demountable, improving system performance and reducing system downtime during maintenance.

Manufactured in polypropylene with EPDM seals, the fitting offers greater chemical resistance than push-fit acetal and is suitable for potable water (10 bar at 20°C) and intermittent hot water applications (4 bar at 60°C), including water treatment applications. All John Guest fittings are manufactured and assembled in the UK.



Features & Benefits

- Polypropylene material and EPDM O-Ring offers high chemical resistance
- Suitable for potable water, intermittent hot water (up to 65°C max) water treatment and purification applications (Not suitable for compressed air or vacuum applications)
- Instant push-fit connection and leak tight seal
- Connect, disconnect and reconnect in seconds without tools
- No scale build up improves performance and equipment lifespan
- Superior flow characteristics
- Compatible with LLDPE or soft metal pipe/tube

Product Code	Description	Size
PPM220808W	Stem Elbow	8mm
PPM221212W	Stem Elbow	12mm



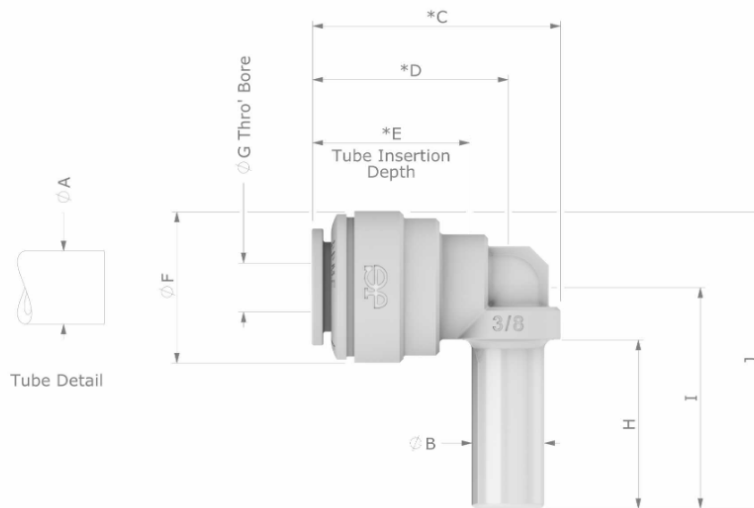
White Polypropylene Equal Straight Connector

Application	Maximum working temperature °C	Maximum working pressure, bar
Potable Water	20	10
Intermittent Hot Water	60	4

Materials	
Body	Polypropylene
O-Ring	EPDM
Collet	Polypropylene
Collet Teeth	Stainless Steel 301

Application
Potable Liquid
Water Treatment & Purification
Not Suitable for Compressed Air & Vacuum

Dimensions – All measurements in mm unless otherwise stated



See Sheet 2 for Dimensions

*With Collet in release position

Dimensions in Inches & [mm]

Product No.	Colour	Size - Stem O/D - Tube O/D	A Tube O/D	B Stem O/D	C	D	E	F	G	H	I	J
PP220808W	White	1/4" - 1/4"	0.250 +0.001 / -0.004 [6.35 +0.03 / -0.10]	1/4"	0.94 [23.8]	0.75 [19.0]	0.62 [15.7]	0.64 [16.3]	0.18 [4.5]	0.70 [17.9]	0.89 [22.7]	1.21 [30.9]
PP220808E	Black											
PPM220808W	White	5/16" - 5/16"	0.313 +0.001 / -0.004 [6.35 +0.03 / -0.10]	5/16"	1.05 [26.7]	0.83 [21.0]	0.66 [16.7]	0.75 [19.0]	0.22 [5.6]	0.76 [19.4]	0.99 [25.1]	1.36 [34.6]
PP221208W	White	3/8" - 1/4"	0.250 +0.001 / -0.004 [6.35 +0.03 / -0.10]	3/8"	1.13 [28.8]	0.86 [21.9]	0.62 [15.7]	0.65 [16.5]	0.21 [5.3]	0.87 [22.1]	1.06 [26.9]	1.38 [35.2]
PP221212W	White	3/8" - 3/8"	0.375 +0.001 / -0.004 [9.53 +0.03 / -0.10]	3/8"	1.24 [31.4]	0.97 [24.5]	0.78 [19.8]	0.78 [19.8]	0.25 [6.4]	0.87 [22.1]	1.14 [29.0]	1.53 [38.9]
PP221212W-B	White (Blue Collet)											
PP221212E	Black											
PP221616W	White	1/2" - 1/2"	0.500 +0.001 / -0.004 [12.70 +0.03 / -0.10]	1/2"	1.57 [40.0]	1.21 [30.8]	0.93 [23.7]	0.98 [24.8]	0.33 [8.3]	1.10 [28.0]	1.46 [37.2]	1.95 [49.6]
PP221616E	Black											